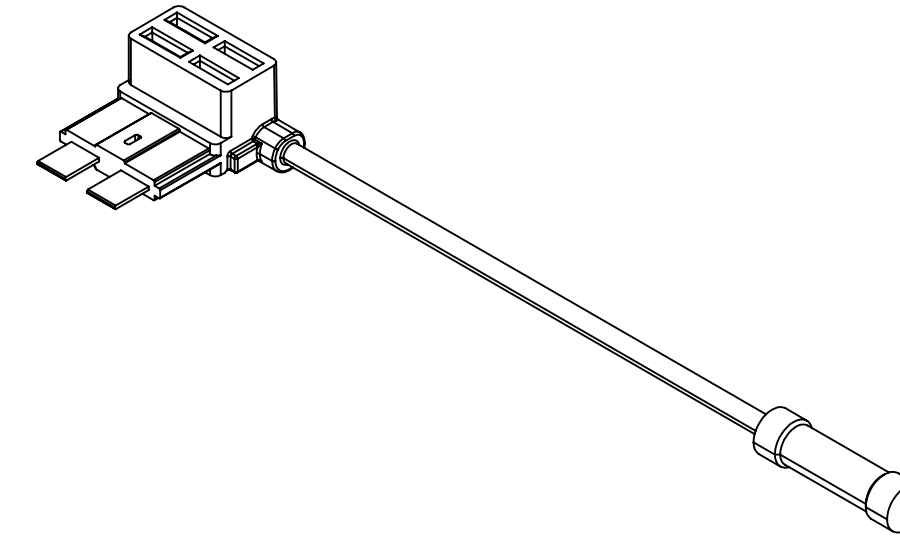
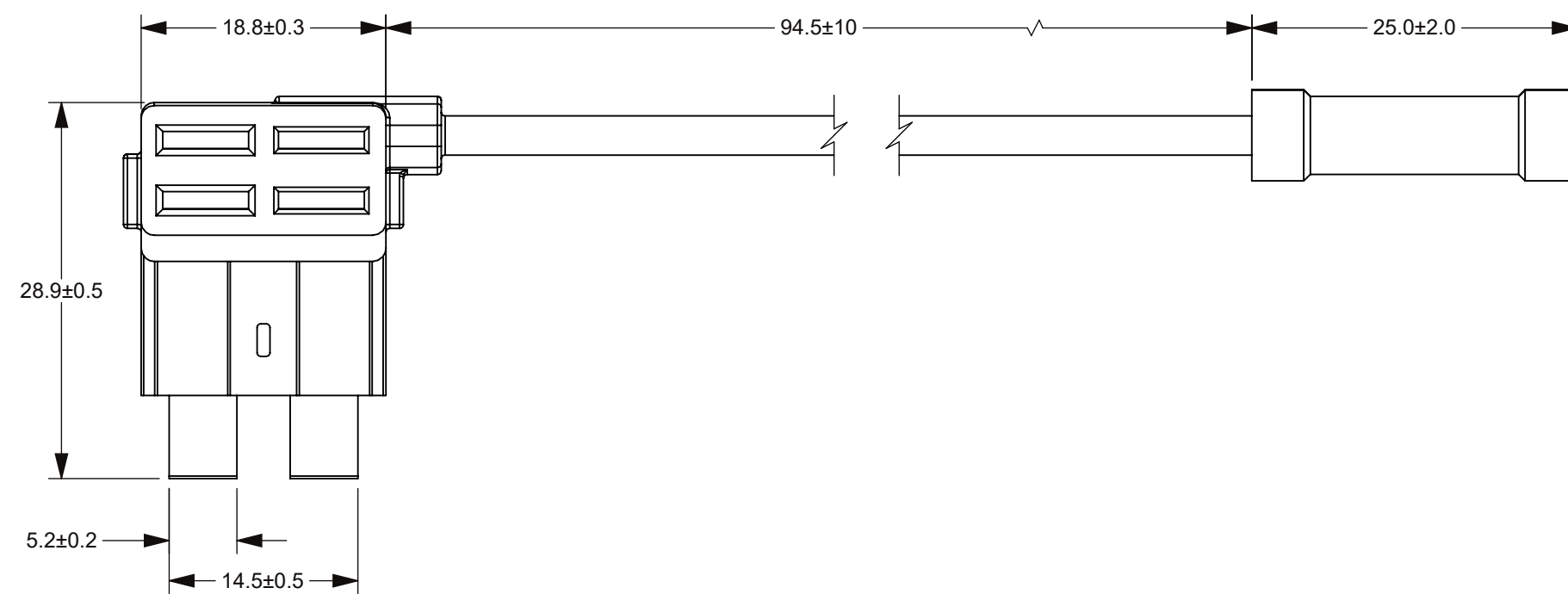
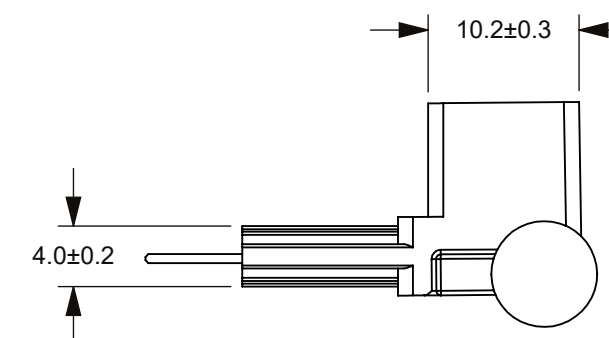
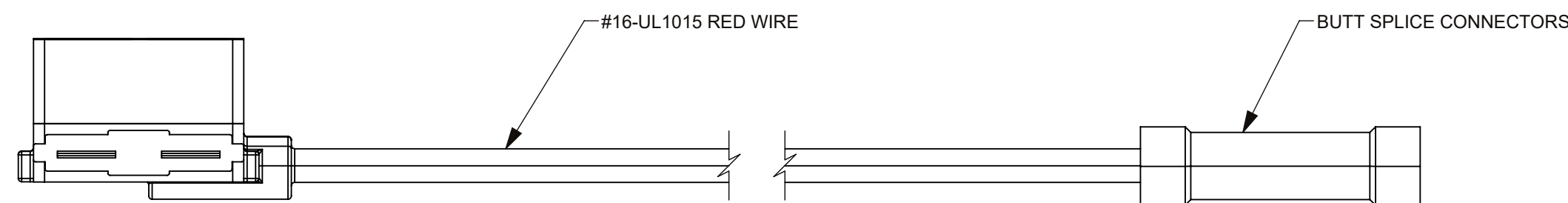


THIS DRAWING AND THE INFORMATION CONTAINED WITHIN IT ARE CONFIDENTIAL AND MAY NOT BE COPIED OR DISCLOSED WITHOUT THE WRITTEN PERMISSION OF LITTELFUSE.

REVISIONS				
ZONE	REV.	DESCRIPTION	DATE	APPROVED
	A	PCO #5300031. INITIAL RELEASE. DSILVA	3/7/2022	S. CASTILLO



3D MODEL VIEW
SCALE 1:1



NOTES:

1. MAX. INSTALLATION RATING UP TO 10 AMPS.
2. MAX. VOLTAGE RATING 32V.
3. MAX. FUSE INSERTION FORCE TO BE 10KGF.

NO.	COMPONENT NO.	COMPONENT NAME	QTY	U
TOLERANCES UNLESS OTHERWISE SPECIFIED (REF. ISO 2768-mK)				
.5 to 3	>3 to 6	>6 to 30	>30 to 120	>120 to 400
				ANGLE
+0.10	+0.10	+0.20	+0.30	+0.50
				NONE
DIMENSIONS ARE SHOWN IN MILLIMETERS. DIMENSIONS AND TOLERANCES ARE DEFINED ACCORDING TO ANSI/ASME Y14.5-1994.				
PER CHNFPD20-008 PROCEDURE	●	FIT/ FUNCTION CRITICAL CHARACTERISTICS		
	<S>	SAFETY/ COMPLIANCE CRITICAL CHARACTERISTICS SYMBOL		
	CPK	DENOTES CPK DIMENSIONS MINIMUM CPK VALUE		
	(ST)	DENOTES A CHARACTERISTIC THAT PROVIDES AN INDICATION OF PROCESS PERFORMANCE. PROCEDURE FOR MEASUREMENT AND TRACKING TO BE DEFINED IN LITTELFUSE INSPECTION INSTRUCTIONS		
	CP	DENOTES CP DIMENSIONS. -MINIMUM CP VALUE MUST BE WITHIN THE DIMENSIONAL LIMITATIONS SHOWN ON DRAWING AND INITIALLY LOCATED TO ALLOW FOR MAXIMUM TOOL LIFE		
DRAWN	NAME	DATE	 Expertise Applied Answers Delivered	
CHECKED	DSILVA	2/23/2022		
	S. CASTILLO	3/7/2022		
FORM NO. CVP-PE40-0005 REV B			TITLE	
THIRD ANGLE PROJECTION			ATO ADD-A-CIRCUIT	
			SIZE	REV.
DO NOT SCALE DRAWING			C	A
SCALE 2:1			DWG. NO.	OL-0FHA0200Z
			OUTLINE	
			SHEET 1 OF 1	