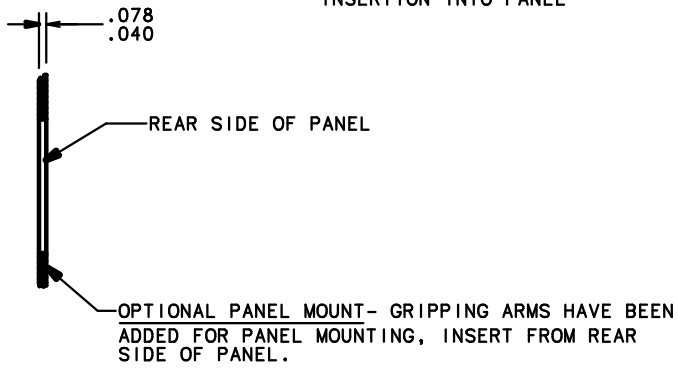
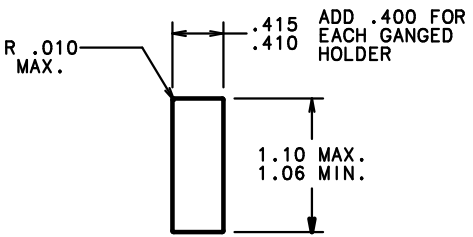
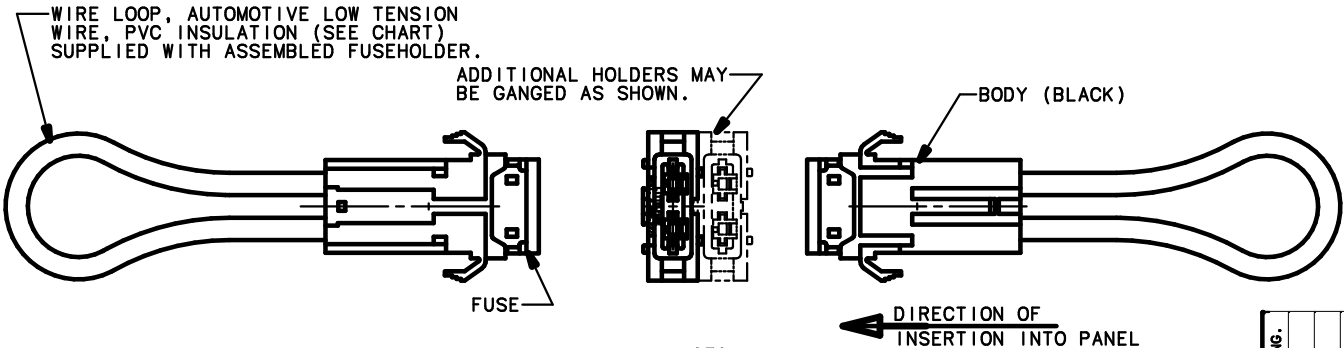


ASSEMBLED PART No.	WIRE		MAXIMUM RATING	FUSE No.
	GAUGE	COLOR		
OAFH0001Z	14	BLACK	N/A	N/A
OAFH0002Z	10	ORANGE	N/A	N/A
OAFH0003Z	14	BLACK	20 AMP, 32 VOLT	ATO 3
OAFH0004Z	14	BLACK	20 AMP, 32 VOLT	ATO 4
OAFH0005Z	14	BLACK	20 AMP, 32 VOLT	ATO 5
OAFH007.5Z	14	BLACK	20 AMP, 32 VOLT	ATO 7 1/2
OAFH0010Z	14	BLACK	20 AMP, 32 VOLT	ATO 10
OAFH0015Z	14	BLACK	20 AMP, 32 VOLT	ATO 15
OAFH0020Z	14	BLACK	20 AMP, 32 VOLT	ATO 20
OAFH0025Z	10	ORANGE	30 AMP, 32 VOLT	ATO 25
OAFH0030Z	10	ORANGE	30 AMP, 32 VOLT	ATO 30



NO	COMPONENT NO	DESCRIPTION	QTY/M	U/M	BILL OF MATERIAL	
					MATL SPEC	FINISH
1	9	DRW	JMB	SCALE	1=1	TOLERANCE UNLESS OTHERWISE SPECIFIED TWO PLACE DEC ±.01 THREE PLACE DEC ±.005 ANGULAR ±1° AUTOFUSE IN-LINE FUSEHOLDER (WITH & W/O 257 SERIES AUTOFUSE)
2	10	CHK	DATE	1/21/98	SUPER DRW	
3	12	APPD	DATE		RAW STK WT	
4	13		DATE		LBS/M	
5	14		DATE			
6	15		DATE			
7	16		DATE			
8	17		DATE			

LTR	REVISION	CHK	APD
C	38991C-REVISED & REDRAWN ON NEW FORMAT 2/23/98 JMB		
D	39865B-CHG 14 TO 10, BLACK TO ORANGE 5/7/99 PJM		

DES PLAINES, ILLINOIS 60016
 DRAWING NO. OAFH000 SERIES
 D

- NOTES:
1. TEMPERATURE RATING: -40°C. TO +85°C.
 2. BODY MATERIAL - HEAT STABILIZED NYLON 6/6, UL 94 V-2, COLOR BLACK.

UNLESS OTHERWISE SPECIFIED, DIMENSIONS DO NOT INCLUDE PLATING.
 DENOTES CRITICAL CHARACTERISTICS.
 DENOTES CPK DIMENSIONS.-MINIMUM CPK VALUE 1.0
 DENOTES A CHARACTERISTIC THAT PROVIDES AN INDICATION OF PROCESS PERFORMANCE. REFERENCE PROCEDURE FOR MEASUREMENT OF THIS CHARACTERISTIC IS LOCATED IN THE INSTRUCTIONS.
 DIMENSIONS OF DIMENSIONS.-MINIMUM CP VALUE SHALL BE WITHIN THE DIMENSIONAL LIMITATIONS SPECIFIED FOR MAXIMUM TOOL LIFE.

UNCONTROLLED DOCUMENT