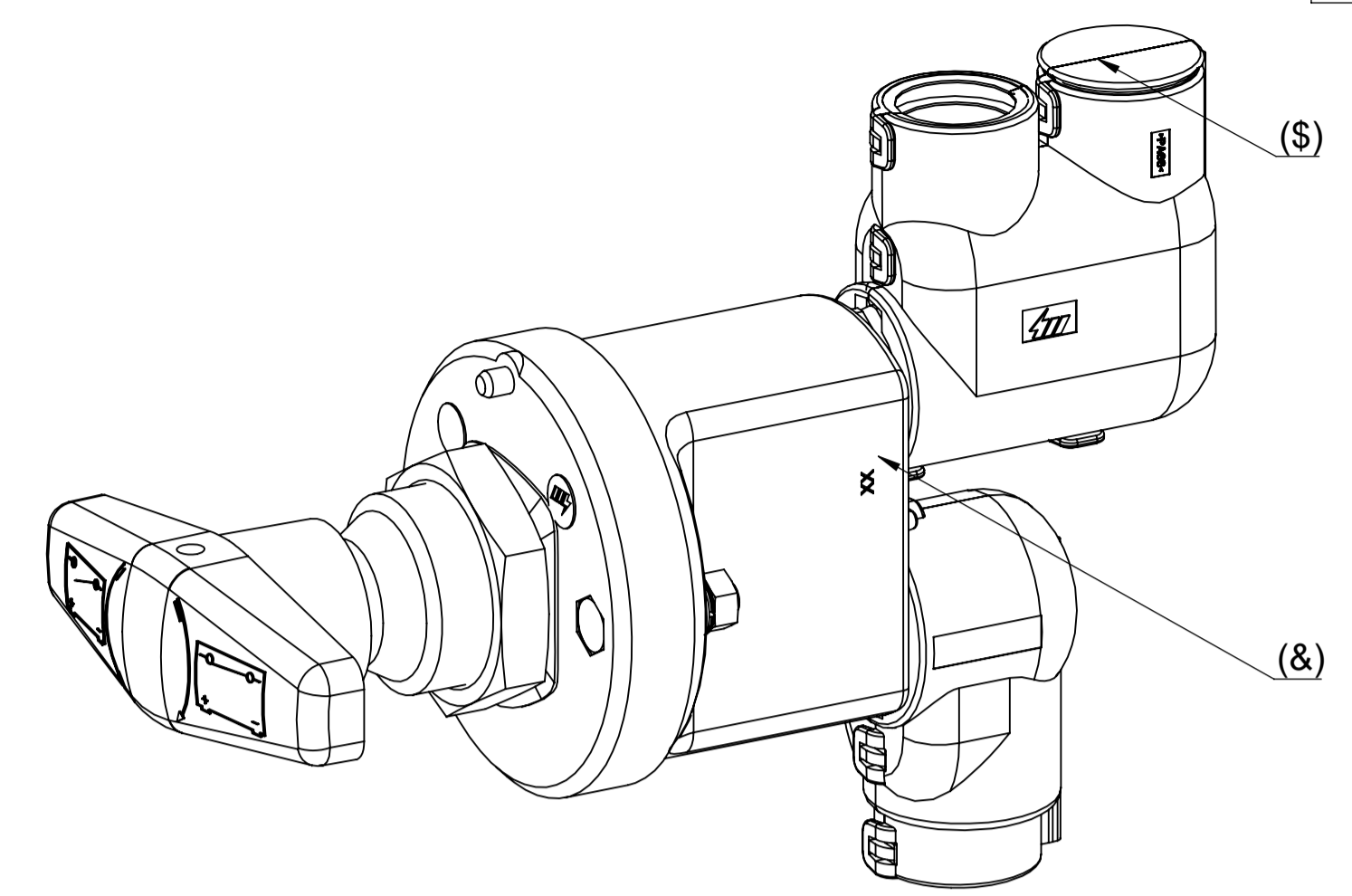
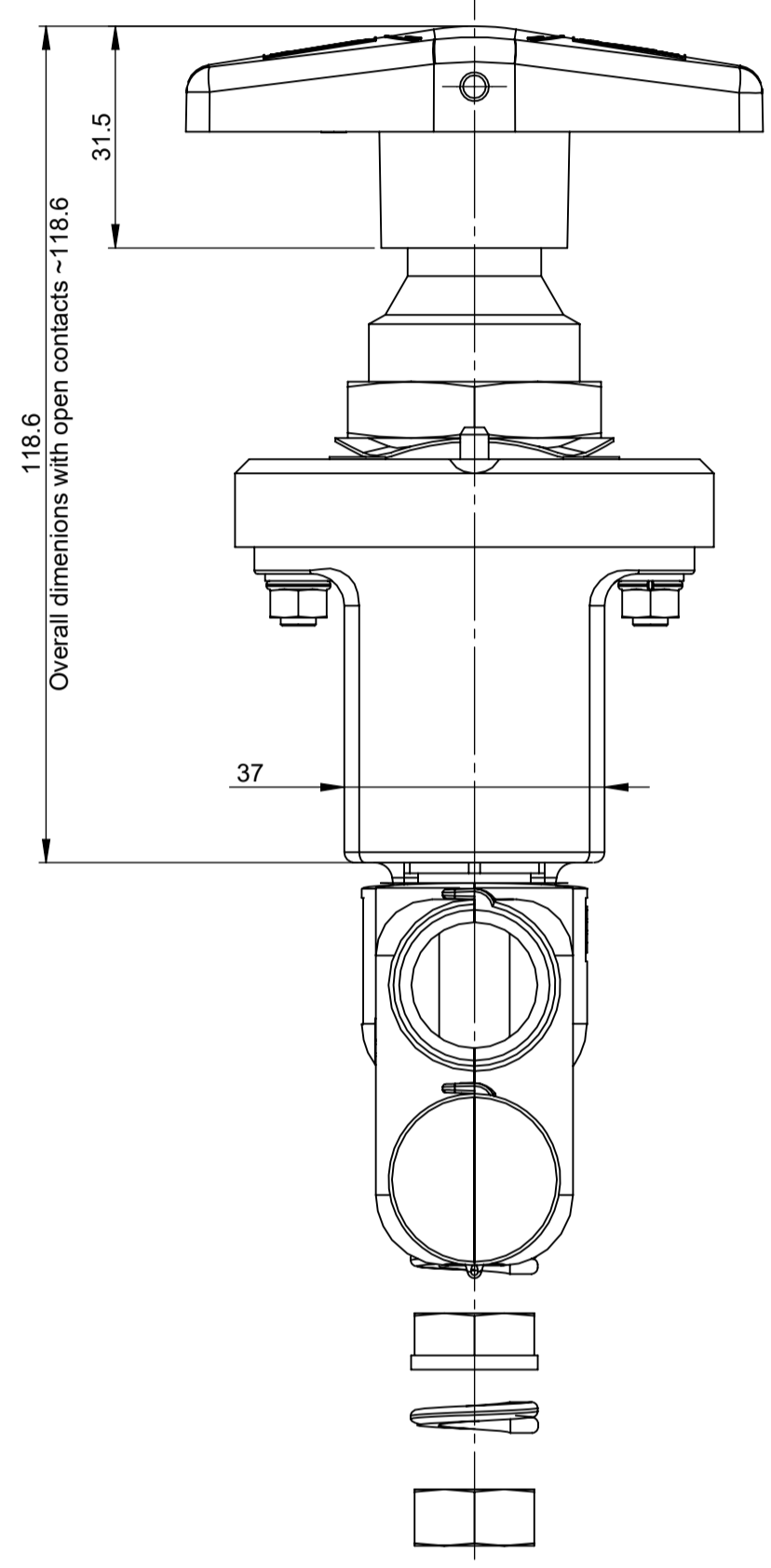
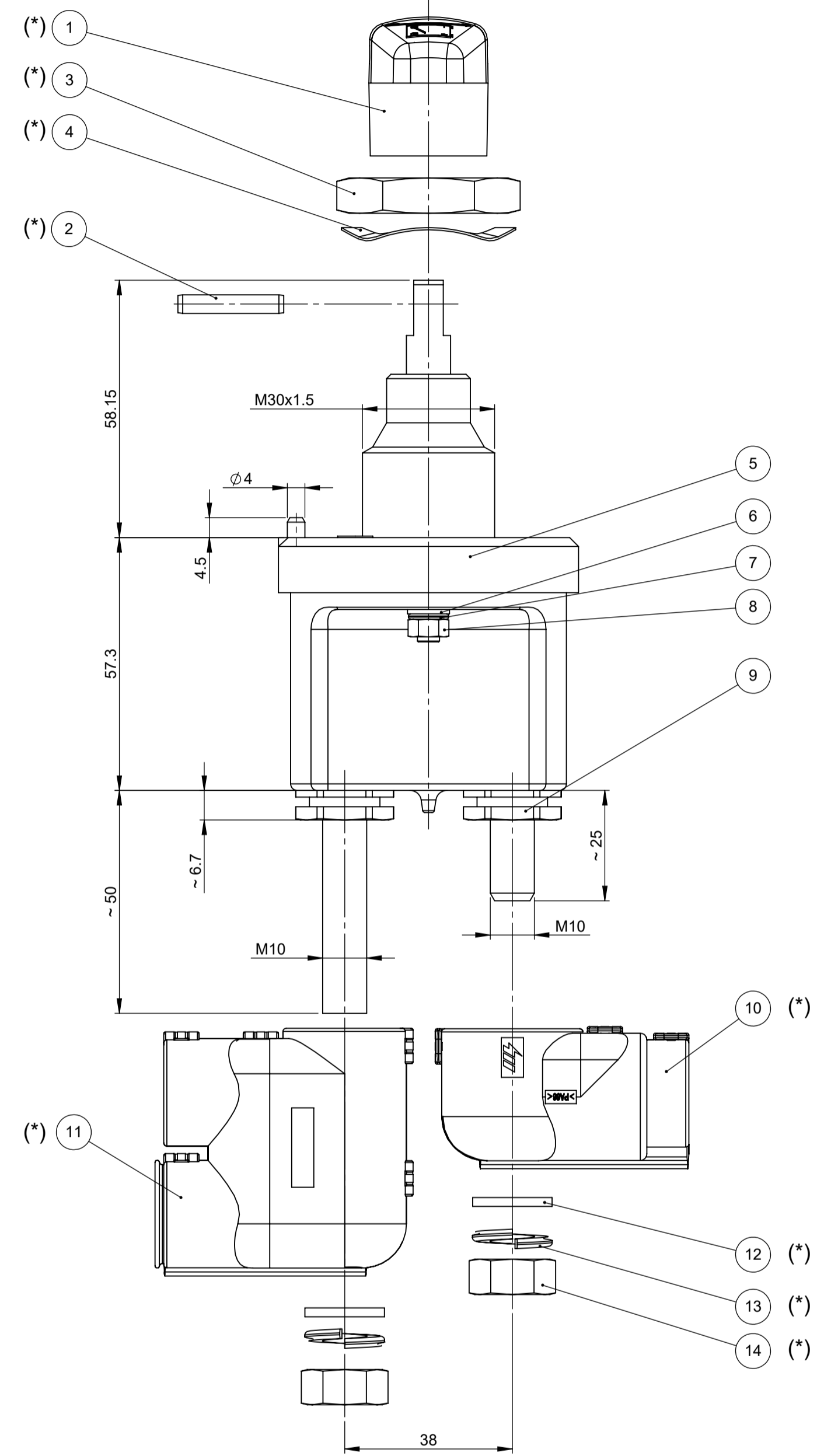
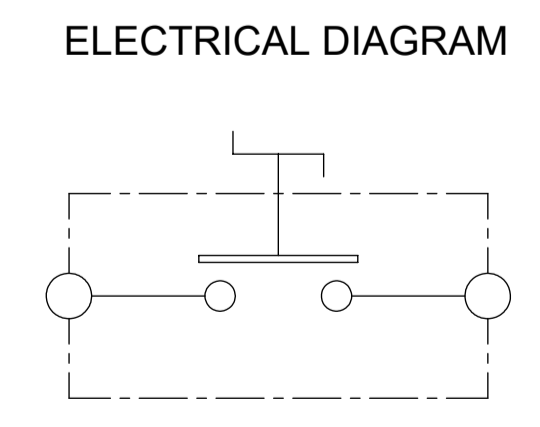
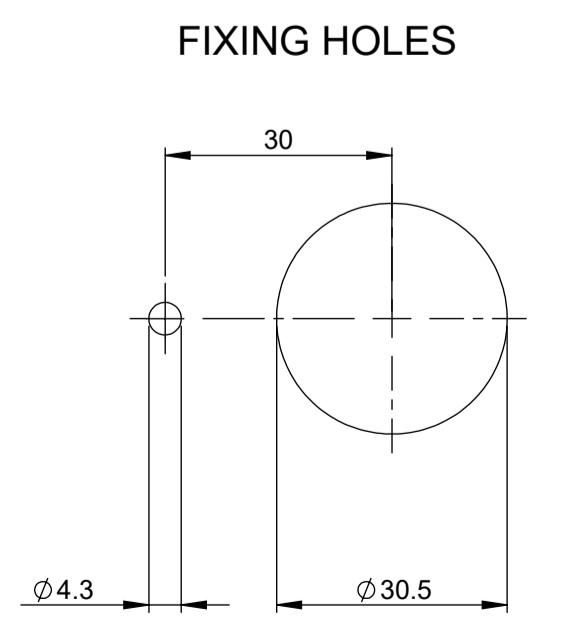
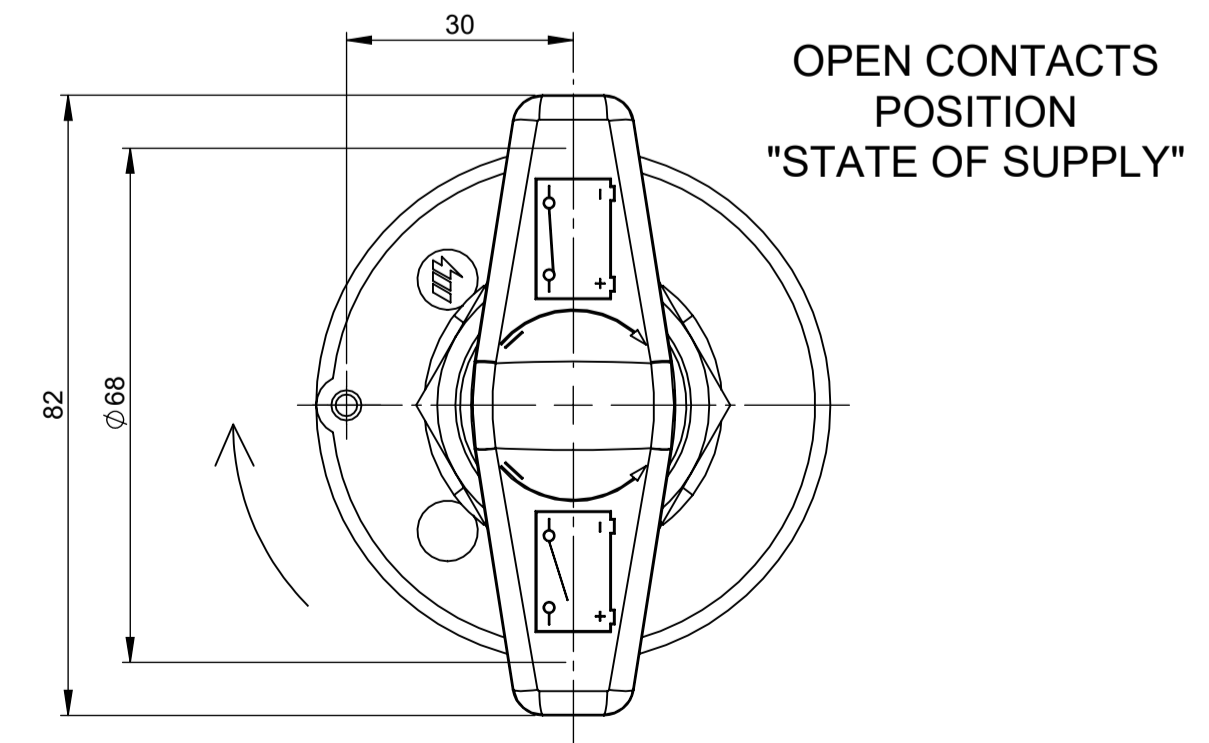


THIS DRAWING AND THE INFORMATION CONTAINED WITHIN IT ARE CONFIDENTIAL AND MAY NOT BE COPIED OR DISCLOSED WITHOUT THE WRITTEN PERMISSION OF LITTELFUSE.

REVISIONS				
REV.	DESCRIPTION	DATE	DESIGNED	APPROVED
A	First issue of outline drawing	22-Jan-21	L.Dal Molin	M.Tinto
B	Note added	26-Mar-21	L.Dal Molin	M.Tinto



POS.	p/N	DESCRIPTION	MAERIAL	Q.TY	U/M
14		Nut M10	Brass	2	EA
13		Spring washer B10	Bronze	2	EA
12		Plane washer 10.3x18x2	Brass	2	EA
11		Double cont. protection -Wire 50mmq	Thermoplastic material	1	EA
10		Cont. protection -Wire 50mmq	Thermoplastic material	1	EA
9		Nut M10 for housitng protection	Brass	2	EA
8		Nut M5	Steel	2	EA
7		Spring washer To 5	Steel	2	EA
6		Plane washer Tc 5.3x9.5	Steel	2	EA
5		Complete IGC		1	EA
4		Elastic ring	Steel	1	EA
3		Nut M30x1.5	Brass	1	EA
2		Spiral spring pin	Steel	1	EA
1		Handle	Aluminium	1	EA



**PRESCRIPTIONS**

- (&) Supplier name or p/N must be marked on the switch, the device code and date of manufacture according to IVECO Std.
- The contact must be closed by turning the handle clockwise 90°
- (\$) Breakthrough type protection panel
- (\*) Handle, spiral spring pin, nut M30x1.5, elastic ring, protections, nuts and washers supplied in the kit

**CHARACTERISTICS**

- Max operating voltage: 24DC
- Max continuous current: 250A & 350A
- Intermittent current: 2500A at 3 sec.
- Handle operating torque: 1.5(±0.5) Nm
- M10 nut closing pair: 19(±3) Nm
- M5 nut closing pair: 1.5(±0.5) Nm
- Locking nut M30x1.5: 35(±5) Nm
- Maximum thickness lockable with nut M30: 12mm
- ⓑ - Handle operating torque: 2±0.5 Nm

SAP drawing number: 1000098965

Material and treatments:

DIMENSIONS AND TOLERANCES IN MILLIMETERS, DEFINED ACCORDING TO ISO 1101:2017.

linear dimensions					
0,5	>3	>6	>30	>120	>400
±0,2	±0,3	±0,5	±0,8	±1,2	±2

angle (for range of lengths)

up to	>10	>30	>120
10	±10'	±20'	±40'
±1'30"	±1'	±0'30"	±0'15"

● FIT/FUNCTION CRITICAL CHARACTERISTICS SYMBOL  
 <S> SAFETY/ COMPLIANCE CRITICAL CHARACTERISTICS SYMBOL  
 CPK DENOTES CPK DIMENSIONS MINIMUM CPK VALUE  
 (ST) DENOTES A CHARACTERISTIC THAT PROVIDES AN INDICATION OF PROCESS PERFORMANCE PROCEDURE FOR MEASUREMENT AND TRACKING TO BE DEFINED IN LITTELFUSE INSPECTION INSTRUCTIONS  
 CP DENOTES CP DIMENSIONS. MINIMUM CP VALUE MUST BE WITHIN THE DIMENSIONAL LIMITATIONS SHOWN ON DRAWING AND INITIALLY LOCATED TO ALLOW FOR MAXIMUM TOOL LIFE

NAME	DATE
DRAWN L. Dal Molin	22-Jan-21
CHECKED	

**Littelfuse**  
Expertise Applied. Answers Delivered.

FORM NO. CP-RES-2013 REV. A TITLE: 250A MANUAL BATTERY MASTER SWITCH WITH FIXED HANDLE AND PROTECTIONS  
 FIRST ANGLE PROJECTION SIZE: A1 DRAW NO: OL-08099170 REV. B  
 DO NOT SCALE DRAWING SCALE 1:1 SHEET 1 OF 1