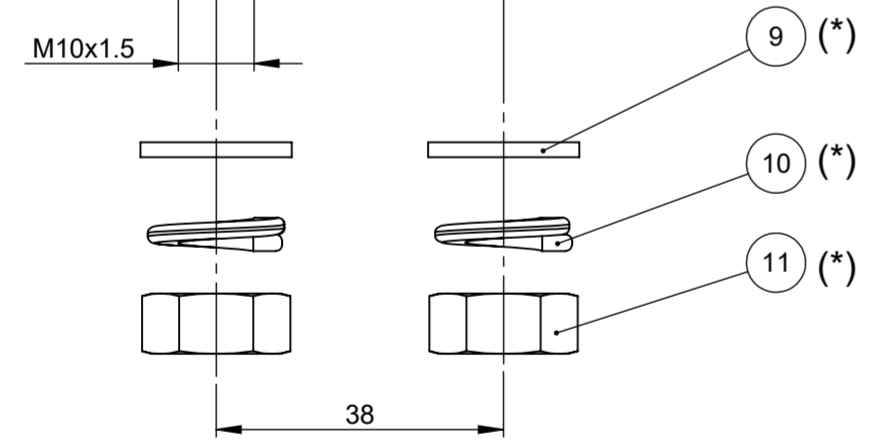
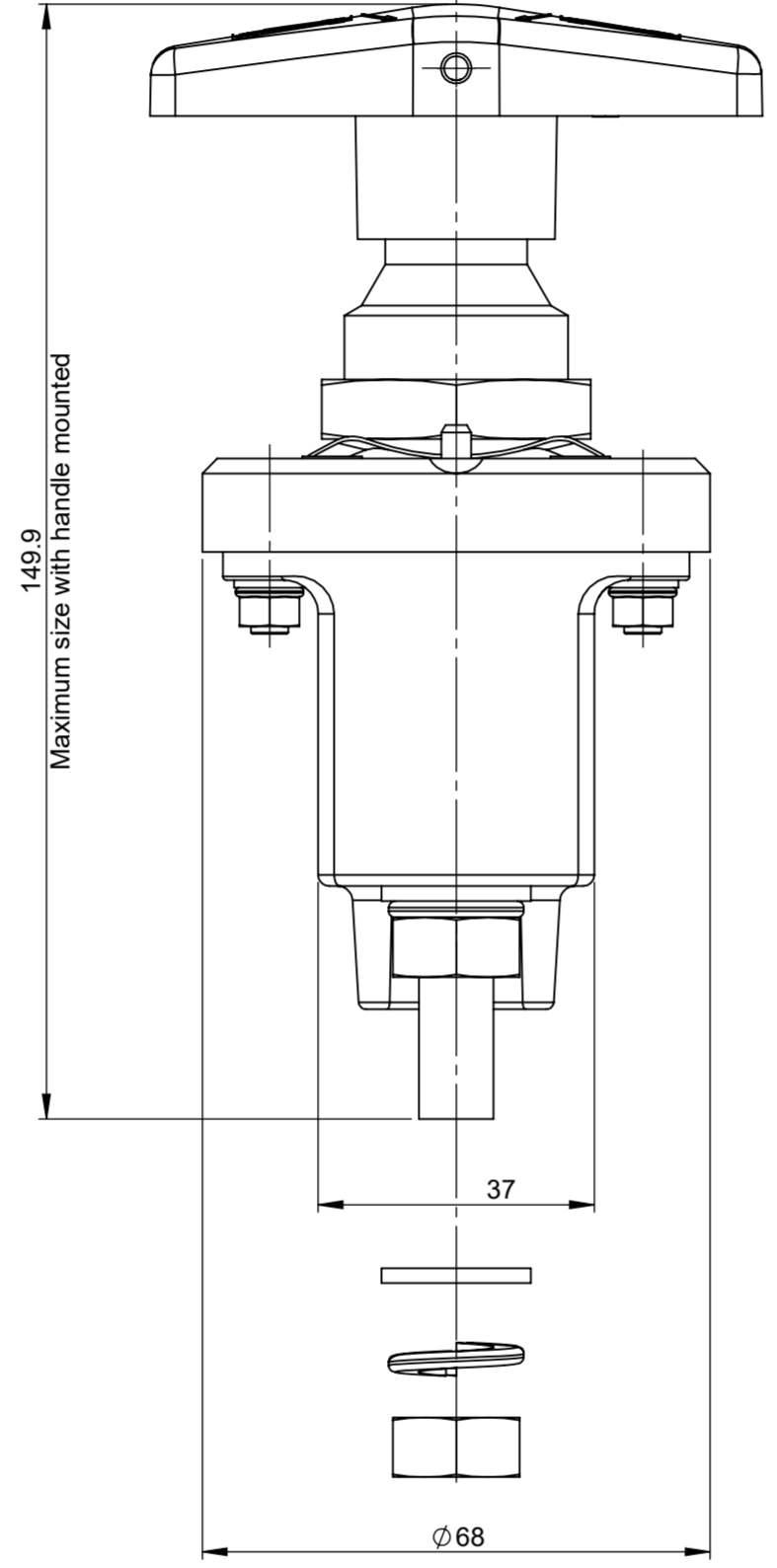
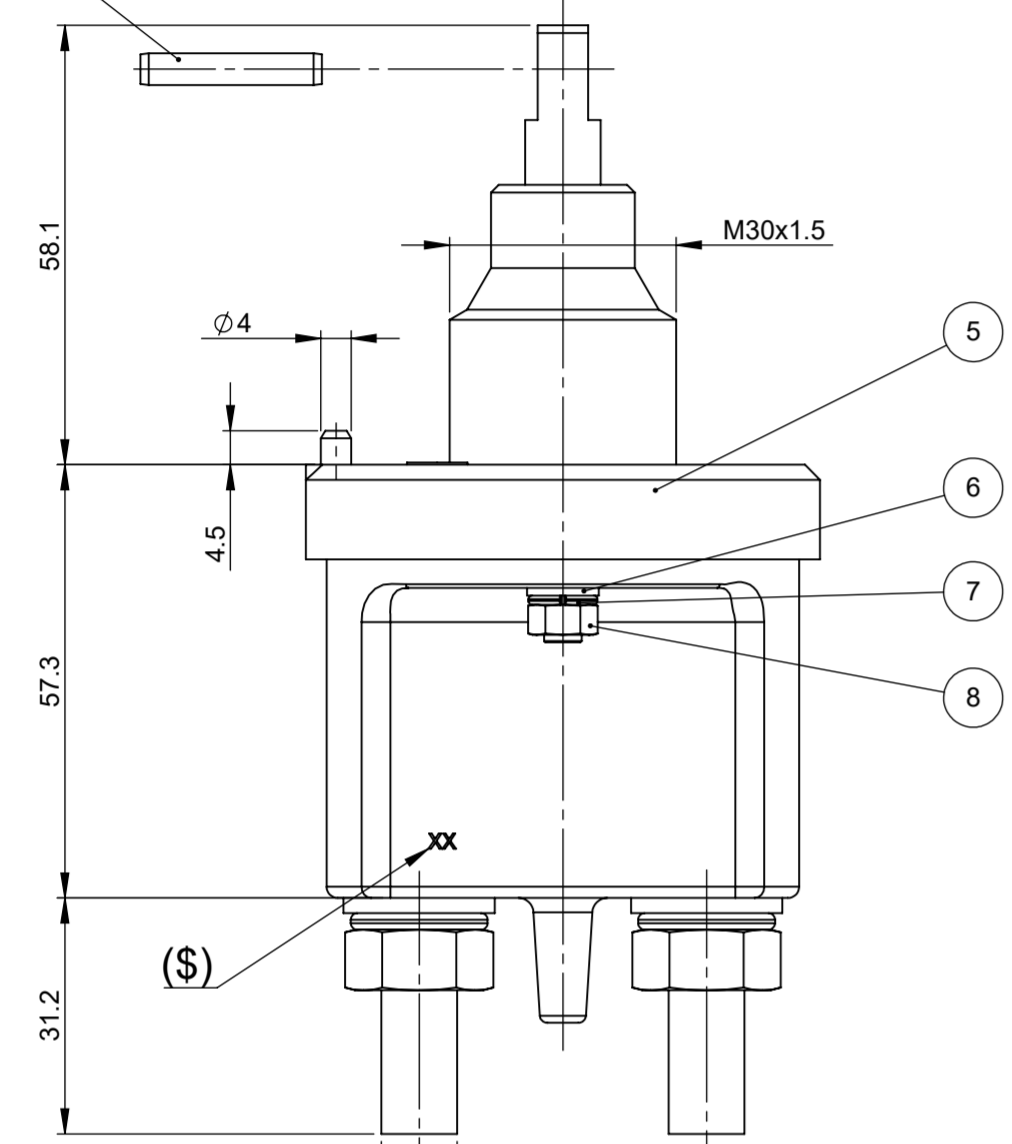
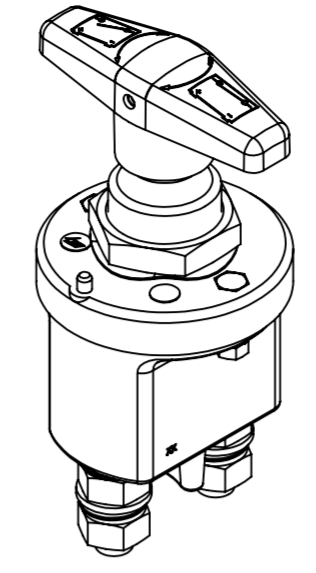
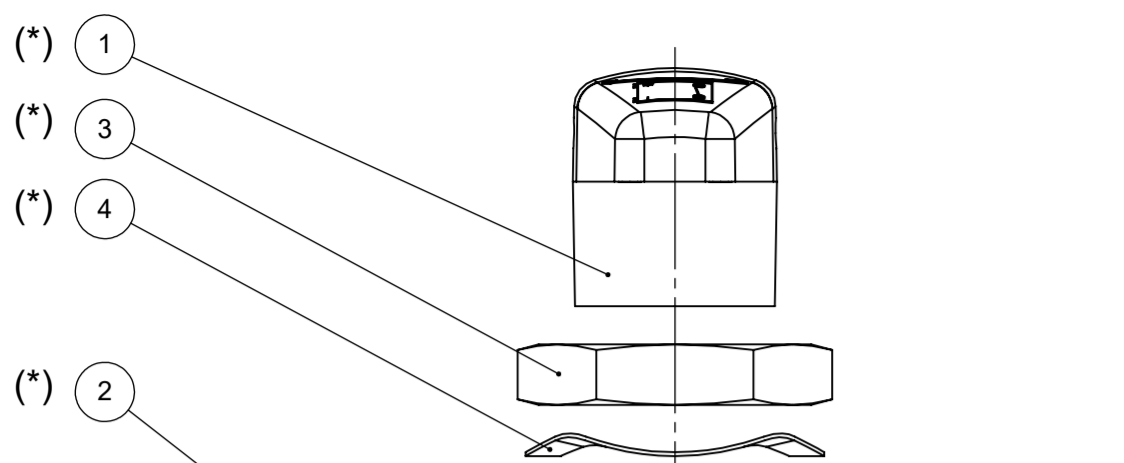
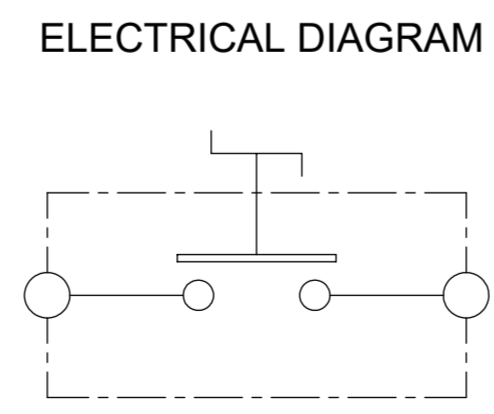
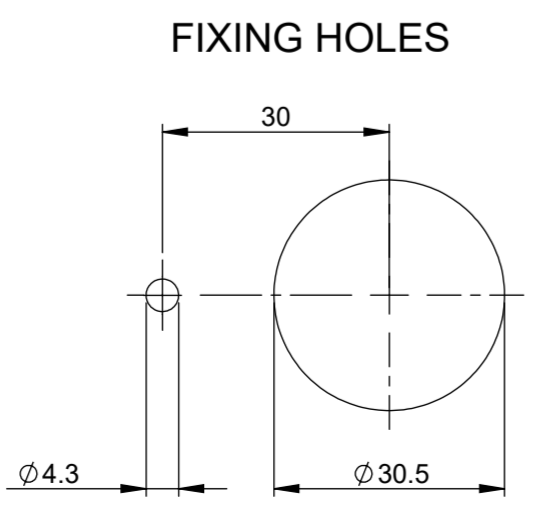
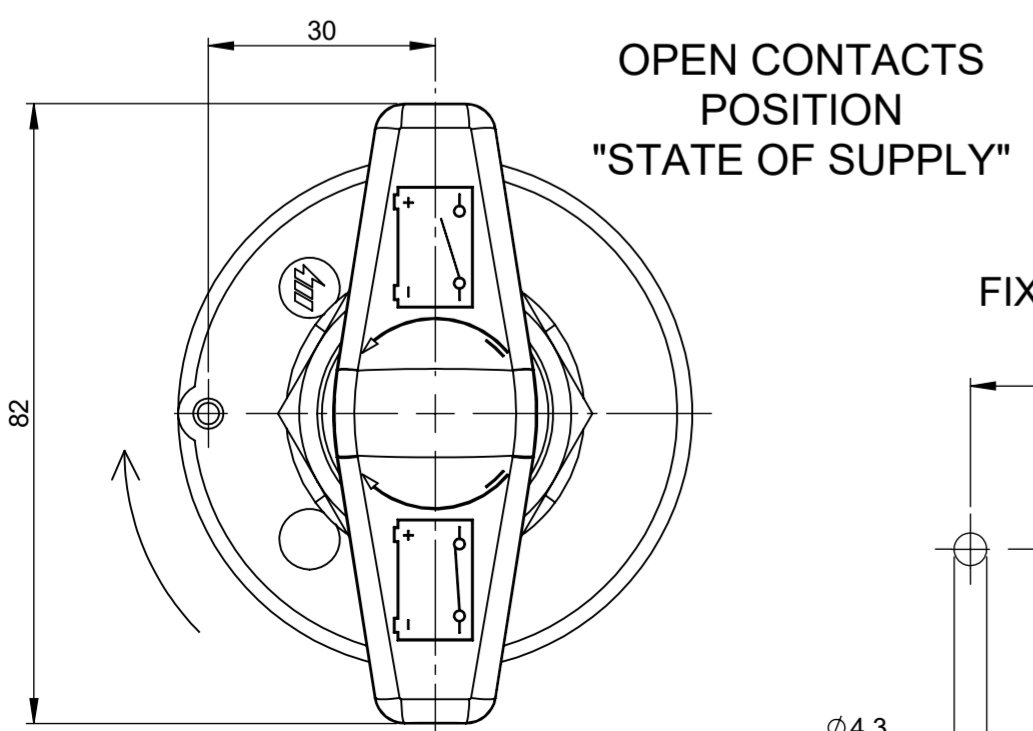


THIS DRAWING AND THE INFORMATION CONTAINED WITHIN IT ARE CONFIDENTIAL AND MAY NOT BE COPIED OR DISCLOSED WITHOUT THE WRITTEN PERMISSION OF LITTELFUSE.

REV.		REVISIONS		
REV.	DESCRIPTION	DATE	DESIGNED	APPROVED
A	First issue of outline drawing	22-Jan-21	L.Dal Molin	M.Tinto
B	Note added	26-Mar-21	L.Dal Molin	M.Tinto



POS.	P/N	DESCRIPTION	MATERIAL	Q.TY	U/M
11		Nut M10	Brass	2	EA
10		Spring washer To 10	Steel	2	EA
9		Washer Te 10.5x20	Steel	2	EA
8		Nut M5	Steel	2	EA
7		Spring washer To 5	Steel	2	EA
6		Plane washer Tc 5.3x9	Steel	2	EA
5		Complete IGC		1	EA
4		Elastic ring	Steel	1	EA
3		Nut M30x1.5	Brass	1	EA
2		Spiral spring pin	Steel	1	EA
1		Handle	Aluminium	1	EA



- PRESCRIPTIONS**
- Contacts lock by 90° clockwise rotation of handle
 - (\$) Marking of manufacturing date, indifferently on right or left terminal
 - (*) Handle, spiral spring pin, nut M30x1.5, elastic ring, nuts and washers supplied in the kit
- CHARACTERISTICS**
- Max operating voltage: 24 DC
 - Max continuous current: 250A & 350A
 - Intermittent current: 2500A at 3 sec.
 - Handle operating torque: 2(±0.5) Nm
 - M10 nut closing pair: 19(±3) Nm
 - M5 nut closing pair: 1.5(±0.5) Nm
 - Locking nut M30x1.5: 35(±5) Nm
 - Maximum thickness lockable with nut M30: 12mm
 - ⓑ - Handle operating torque: 2±0.5 Nm

SAP drawing number: 10000098893

Material and treatments:

DIMENSIONS AND TOLERANCES IN MILLIMETERS, DEFINED ACCORDING TO ISO 1101-2017.	
linear dimensions	
0,5 3	>3 6
±0,2	±0,3
angle (for range of lengths)	
up to 10	>10 50
±1°30'	±1°
● FIT/ FUNCTION CRITICAL CHARACTERISTICS SYMBOL <S> SAFETY/ COMPLIANCE CRITICAL CHARACTERISTICS SYMBOL CPK DENOTES CPK DIMENSIONS MINIMUM CPK VALUE (ST) DENOTES A CHARACTERISTIC THAT PROVIDES AN INDICATION OF PROCESS PERFORMANCE. PROCEDURE FOR MEASUREMENT AND TRACKING TO BE DEFINED IN LITTELFUSE INSPECTION INSTRUCTIONS CP DENOTES CP DIMENSIONS. MINIMUM CP VALUE MUST BE WITHIN THE DIMENSIONAL LIMITATIONS SHOWN ON DRAWING AND INITIALLY LOCATED TO ALLOW FOR MAXIMUM TOOL LIFE	
DRAWN: L. Dal Molin 22-Jan-21 CHECKED: - NAME: - DATE: -	 Expertise Applied Answers Delivered
FORM NO.: CVP-PE40-0013 REV A FIRST ANGLE PROJECTION SIZE: A2 DO NOT SCALE DRAWING	TITLE 250A MANUAL BATTERY MASTER SWITCH WITH FIXED HANDLE DWG. NO.: OL-08099100 SCALE 1:1 SHEET 1 OF 1