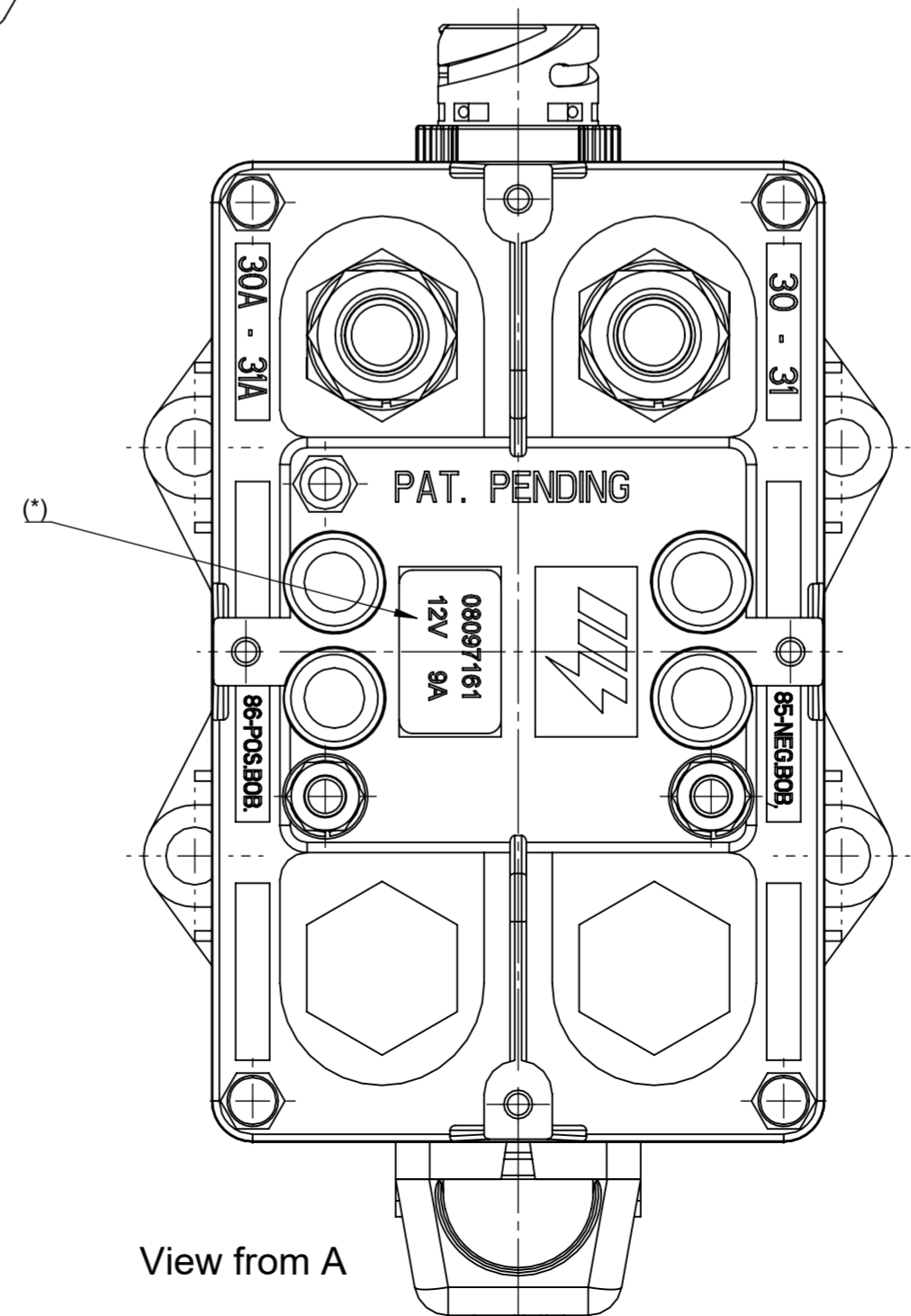
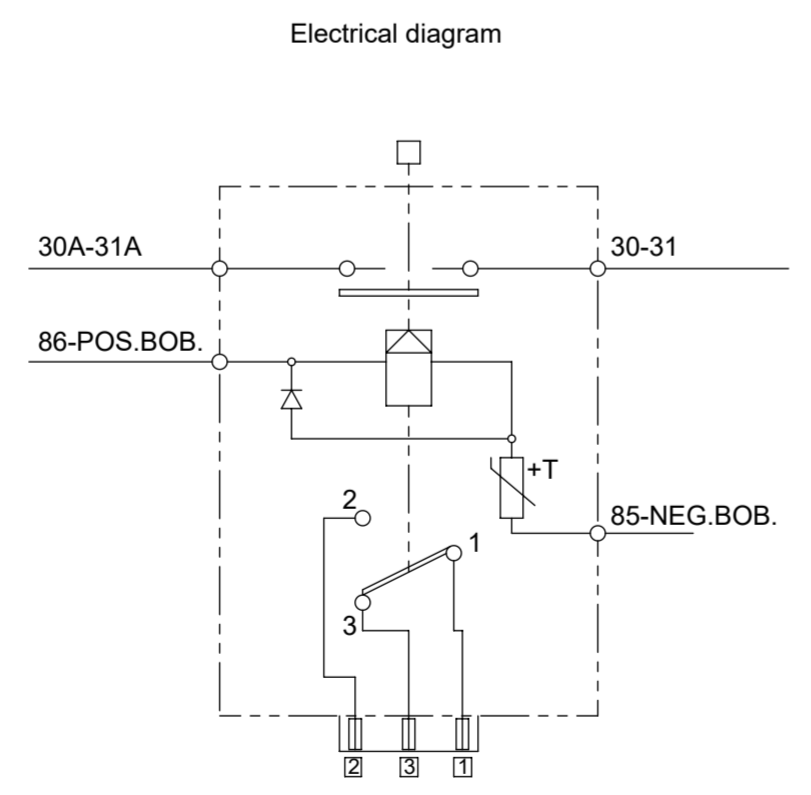
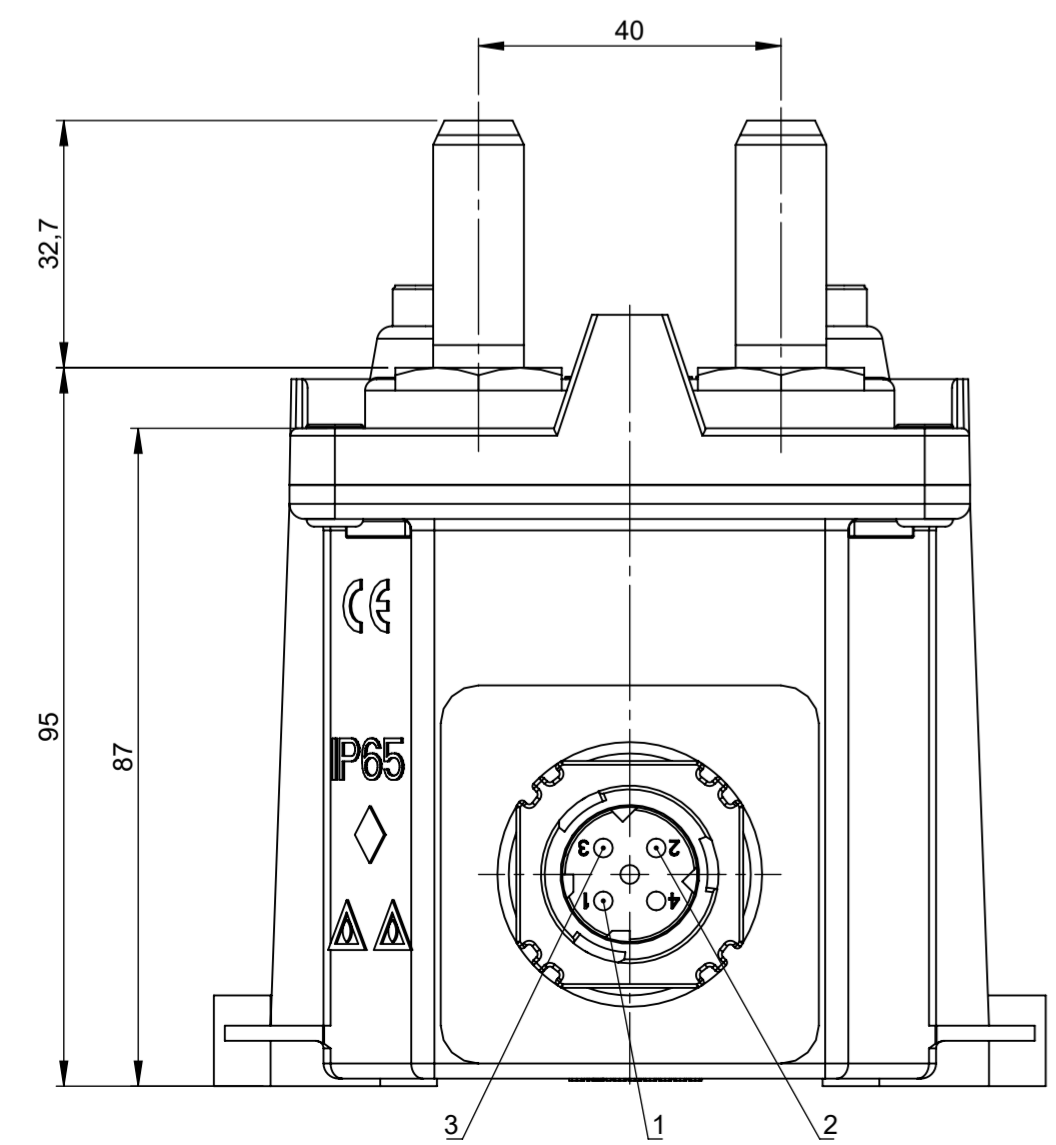
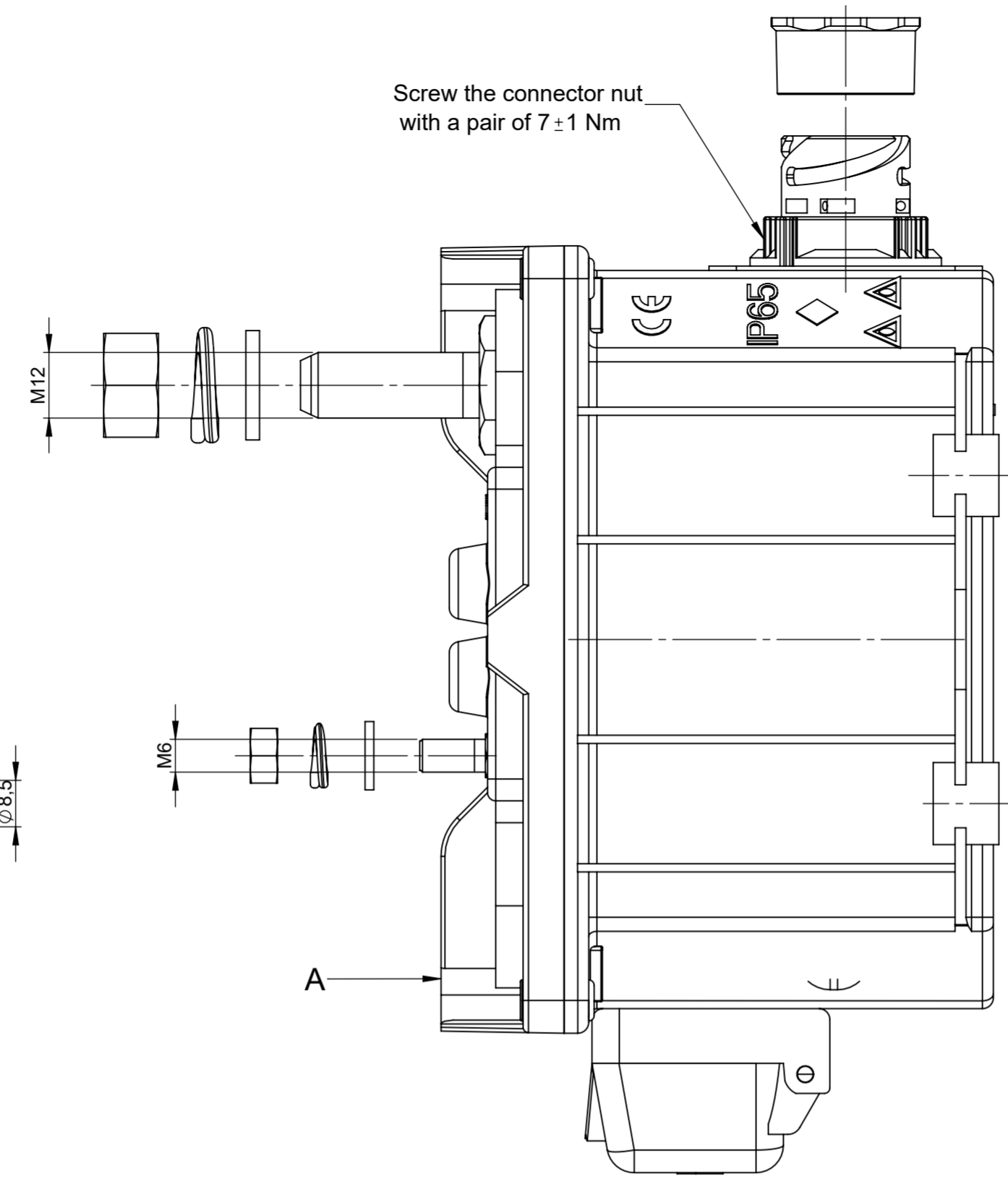
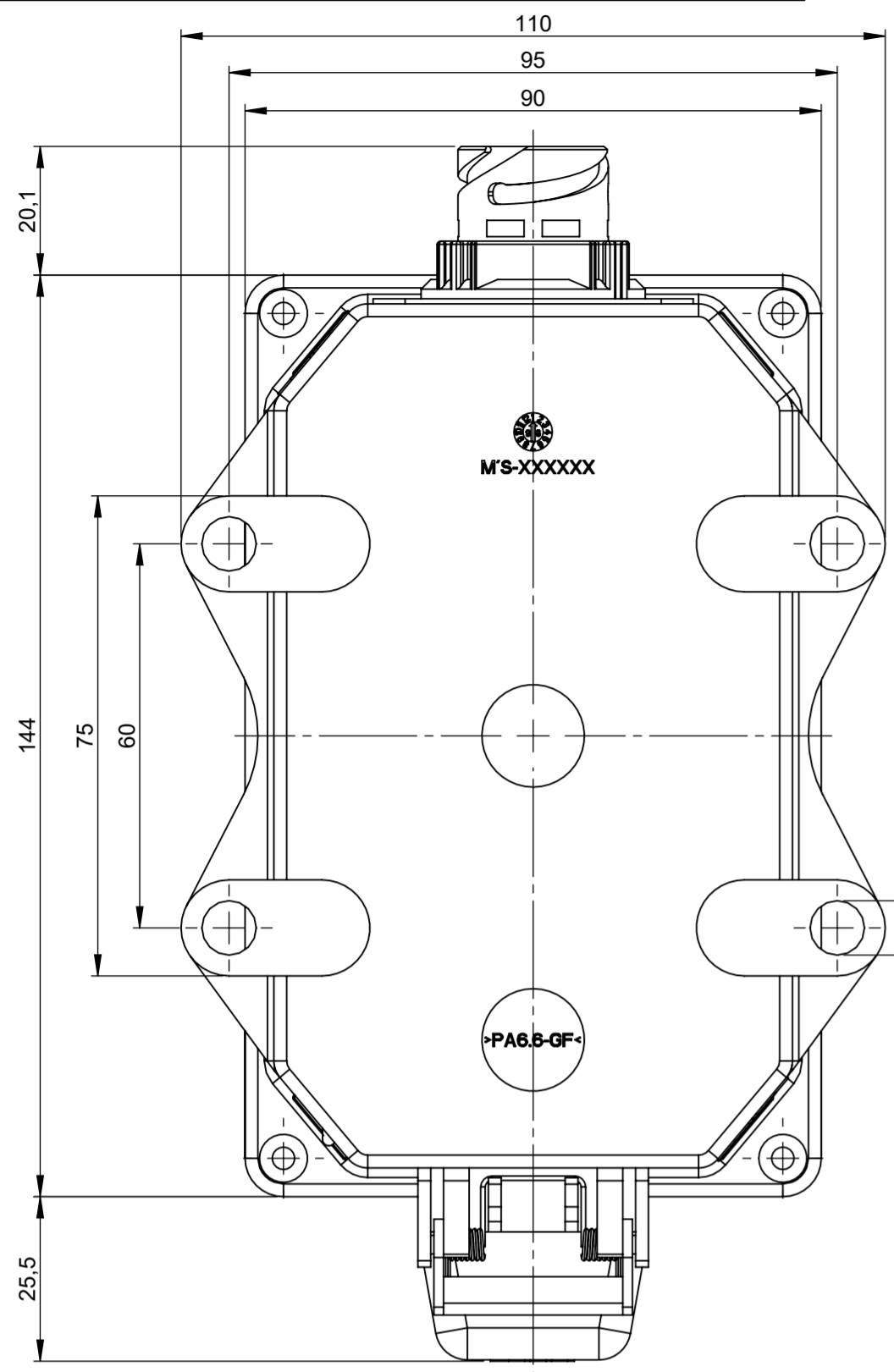


THIS DRAWING AND THE INFORMATION CONTAINED WITHIN IT ARE CONFIDENTIAL AND MAY NOT BE COPIED OR DISCLOSED WITHOUT THE WRITTEN PERMISSION OF LITTELFUSE.

REVISIONS		DATE	DESIGNED	APPROVED
REV.	DESCRIPTION			
A	FIRST ISSUE OF OUTLINE DRAWING	07-July-2020	Gasparini	Tinto



- ELECTRICAL CHARACTERISTICS**
- Nominal operating voltage: 12 ÷ 24 V
 - Max continuous current on main contacts: 250 A
 - Max current on main contacts short duration: 2000 A for 30 sec.
- MECHANICAL CHARACTERISTICS**
- Number of electrical and mechanical operations: 100.000
 - Max locking torque nuts M12: 22 ± 1 Nm
 - Max locking torque nuts M5: 1.6 ± 0.4 Nm
- PRESCRIPTIONS**
- (*): Data of production
 - We suggest to fix the device to the structure by screws M8 UNI 5931:1984 and plane washers 8.4 x 17 UNI 6592:1969 under head

SAP drawing number:
Material and treatments:

DIMENSIONS AND TOLERANCES IN MILLIMETERS, DEFINED ACCORDING TO ISO 1101:2017.	
linear dimensions	
0,5 3	>3 6
±0,2	±0,3
>6 30	>30 120
±0,5	±0,8
>120 400	>400 1000
±1,2	±2
>1000 2000	
±3	
angle (for range of lengths)	
up to 10	>10 50
±1°30'	±1°
>50 120	>120 400
±0°30'	±0°15'
<p>● FIT/ FUNCTION CRITICAL CHARACTERISTICS SYMBOL</p> <p><S> SAFETY/ COMPLIANCE CRITICAL CHARACTERISTICS SYMBOL</p> <p>CPK DENOTES CPK DIMENSIONS MINIMUM CPK VALUE</p> <p>ST DENOTES A CHARACTERISTIC THAT PROVIDES AN INDICATION OF PROCESS PERFORMANCE. PROCEDURE FOR MEASUREMENT AND TRACKING TO BE DEFINED IN LITTELFUSE INSPECTION INSTRUCTIONS</p> <p>CP DENOTES CP DIMENSIONS. MINIMUM CP VALUE MUST BE WITHIN THE DIMENSIONAL LIMITATIONS SHOWN ON DRAWING AND INITIALLY LOCATED TO ALLOW FOR MAXIMUM TOOL LIFE</p>	
NAME	DATE
DRAWN L. Dal Molin	27/05/2019
CHECKED	
Littelfuse Expertise Applied Answers Delivered	
TITLE	
GENERAL ELECTRICAL MAIN SWITCH	
TGC/RMSM 12 V SEP (+-)	
FORM NO. CVP-PE40-0013 REV A	OUTLINE REV.
FIRST ANGLE PROJECTION	A
SIZE: A2	DWG. NO. OL-08097161
DO NOT SCALE DRAWING	SCALE 1:1
SHEET 1 OF 1	