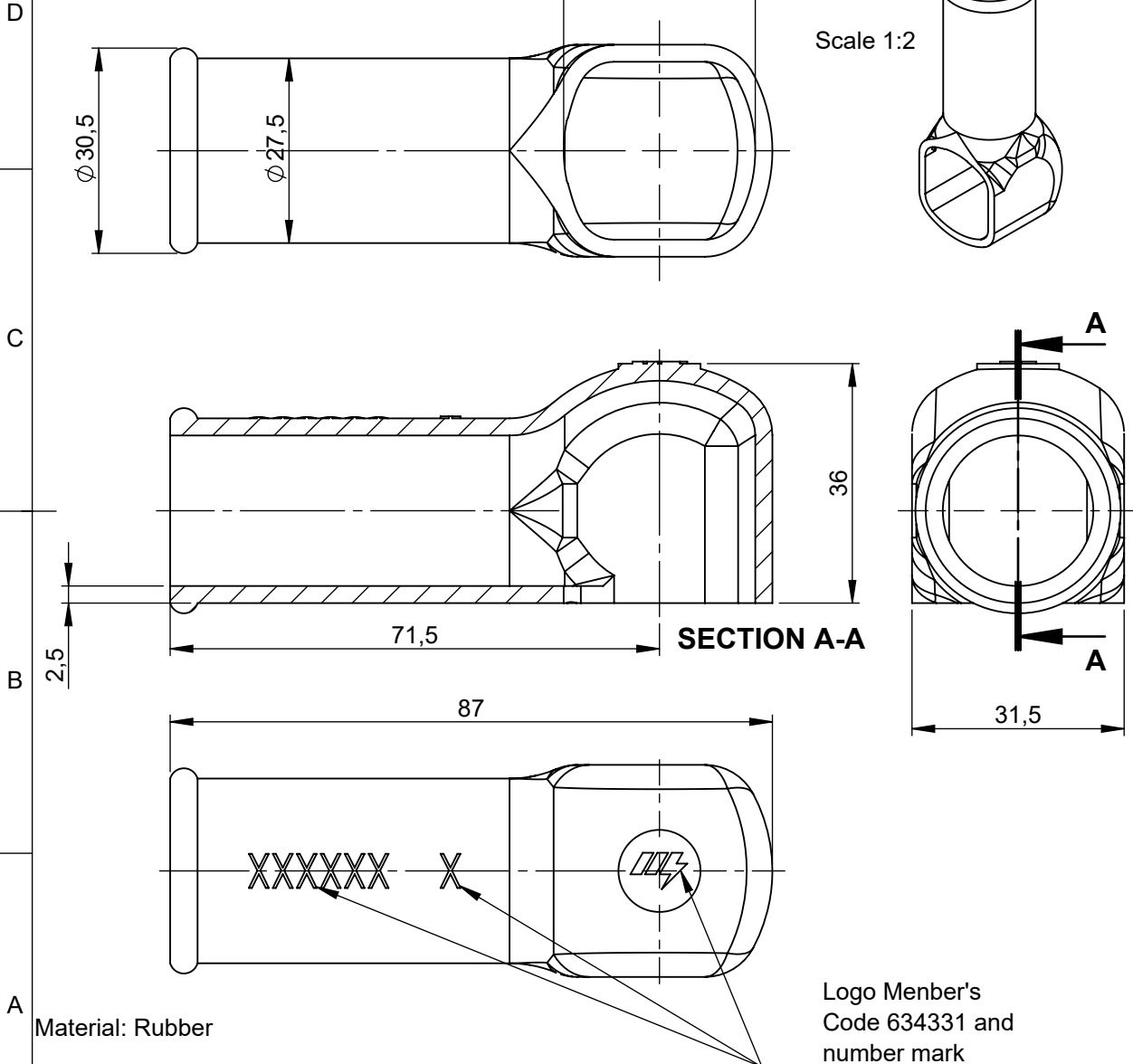


THIS DRAWING AND THE INFORMATION CONTAINED WITHIN IT ARE CONFIDENTIAL AND MAY NOT BE COPIED OR DISCLOSED WITHOUT THE WRITTEN PERMISSION OF LITTELFUSE.

REVISIONS				
REV.	DESCRIPTION	DATE	DESIGNED	APPROVED
A	FIRST ISSUE OF OUTLINE DRAWING	2-July-2020	Gasparini	Tinto



SAP drawing number:

Material and treatments:
Materiale <non specificato>

DIMENSIONS AND TOLERANCES IN MILLIMETERS, DEFINED ACCORDING TO ISO 1101-2017.

	0 4	>4 6,3	>6,3 10	>10 16	>16 25
F	±0,10	±0,15	±0,20	±0,20	±0,25
	>25 40	>40 63	>63 100	>100 160	>160
F	±0,35	±0,40	±0,50	±0,70	±0,5%

●	FIT/ FUNCTION CRITICAL CHARACTERISTICS SYMBOL
<S>	SAFETY/ COMPLIANCE CRITICAL CHARACTERISTICS SYMBOL
CPK	DENOTES CPK DIMENSIONS MINIMUM CPK VALUE
ST	DENOTES A CHARACTERISTIC THAT PROVIDES AN INDICATION OF PROCESS PERFORMANCE.PROCEDURE FOR MEASUREMENTAND TRACKINGTO BE DEFINED IN LITTELFUSE INSPECTION INSTRUCTIONS
CP	DENOTES CP DIMENSIONS, -MINIMUM CP VALUE MUST BE WITHIN THE DIMENSIONAL LIMITATIONS SHOWN ON DRAWING AND INITIALLY LOCATED TO ALLOW FOR MAXIMUM TOOL LIFE

	NAME	DATE
DRAWN	L. Dal Molin	23/05/2019
CHECKED	-	-
	-	-
	-	-



FORM NO.	CVP-PE40-0013 REV A
FIRST ANGLE PROJECTION	
DO NOT SCALE DRAWING	

TITLE		CABLE LUG PROTECTION	
SIZE:	A4	DWG. NO.	OL-08095500
		OUTLINE REV.	A
SCALE 1:1			SHEET 1 OF 1

THIS DRAWING AND THE INFORMATION CONTAINED WITHIN IT ARE CONFIDENTIAL AND MAY NOT BE COPIED OR DISCLOSED WITHOUT THE WRITTEN PERMISSION OF LITTELFUSE.