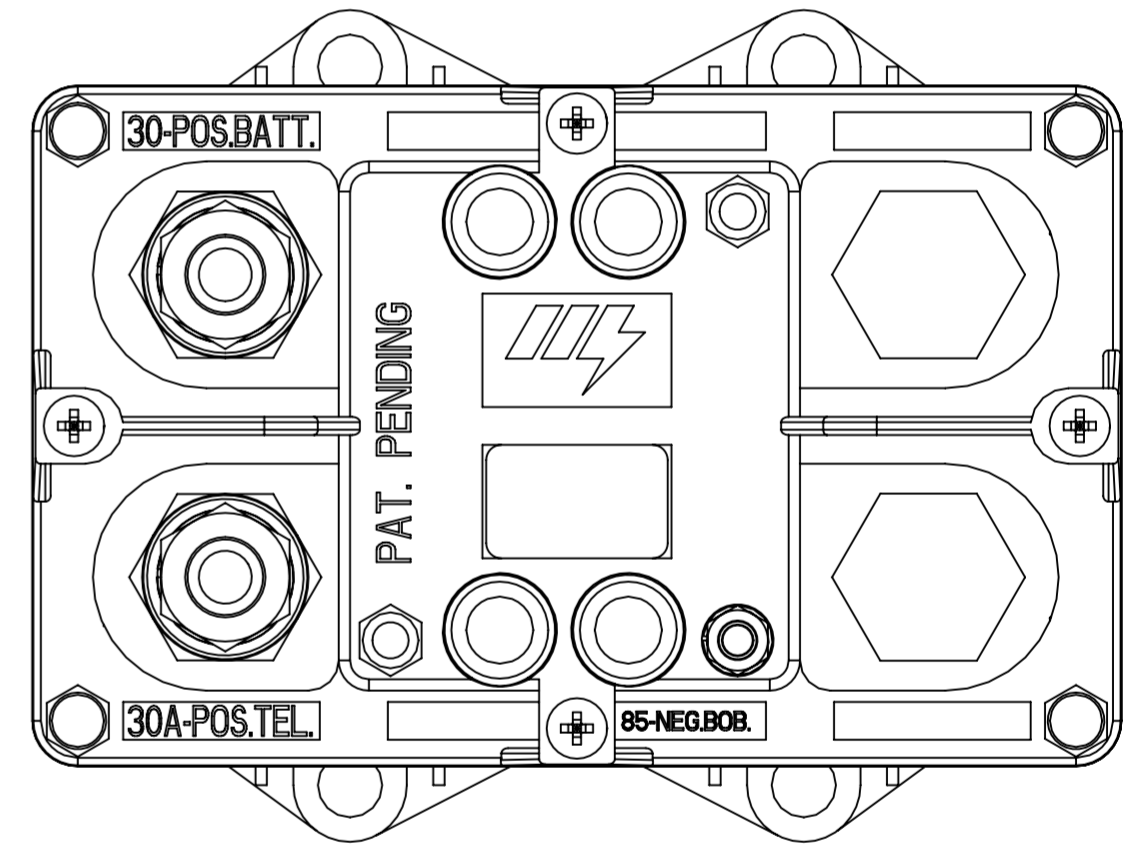
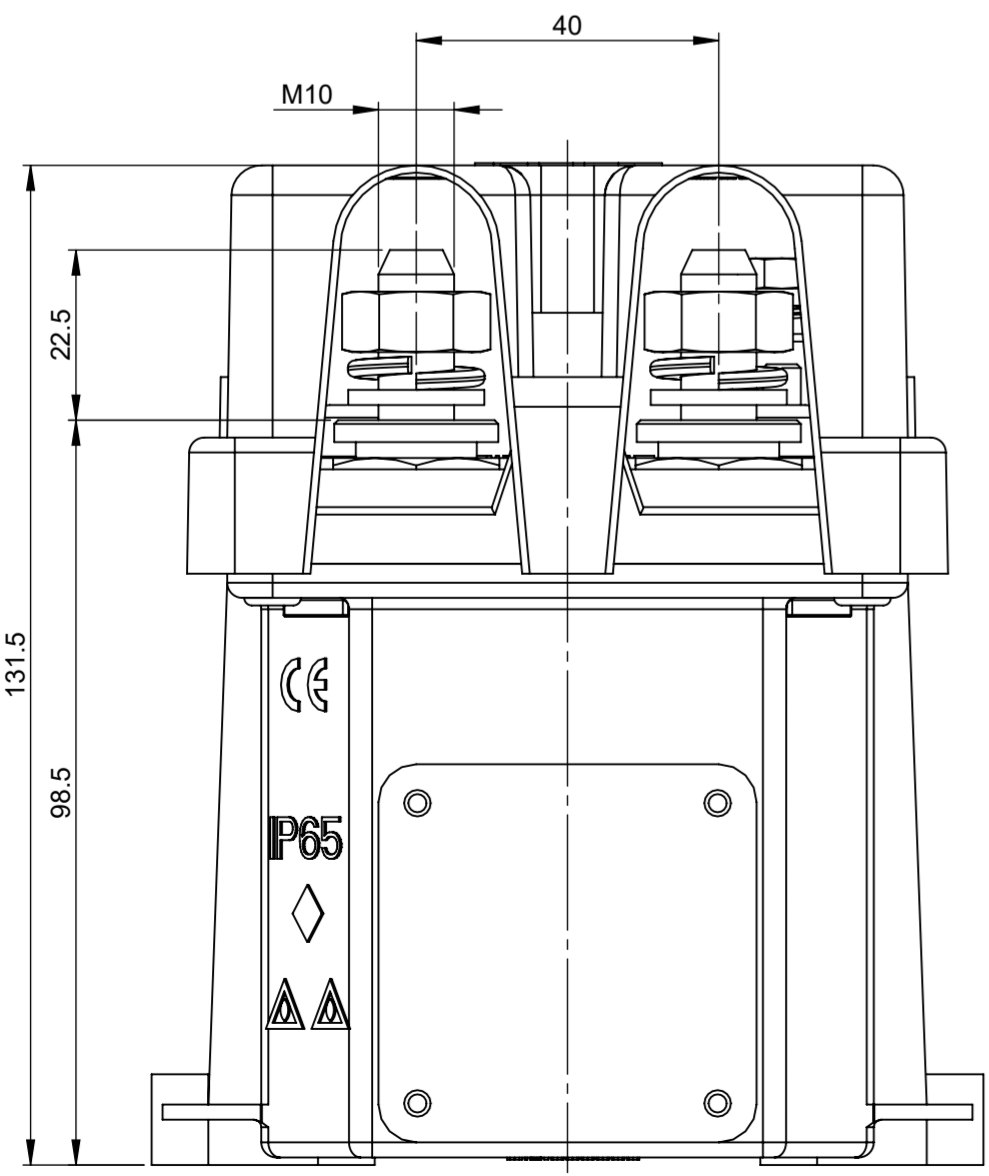
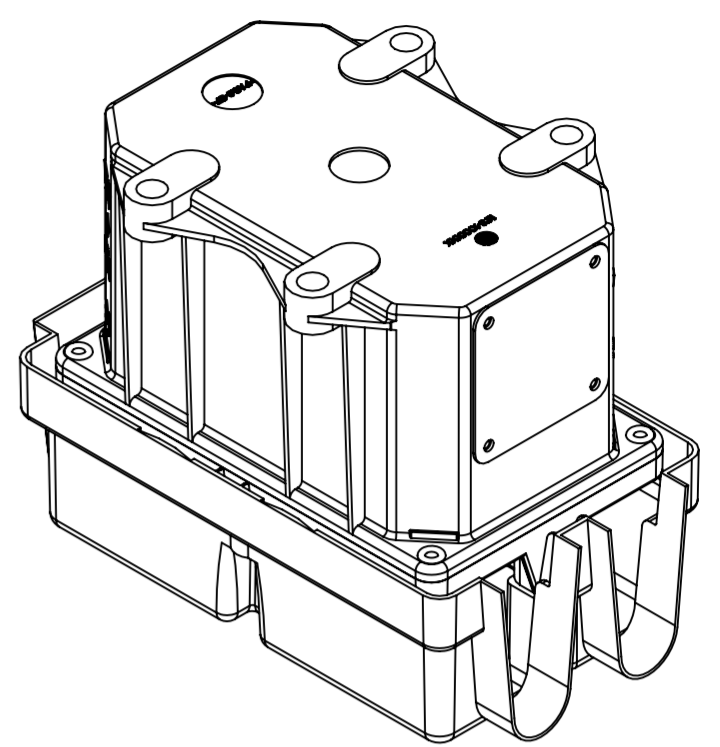
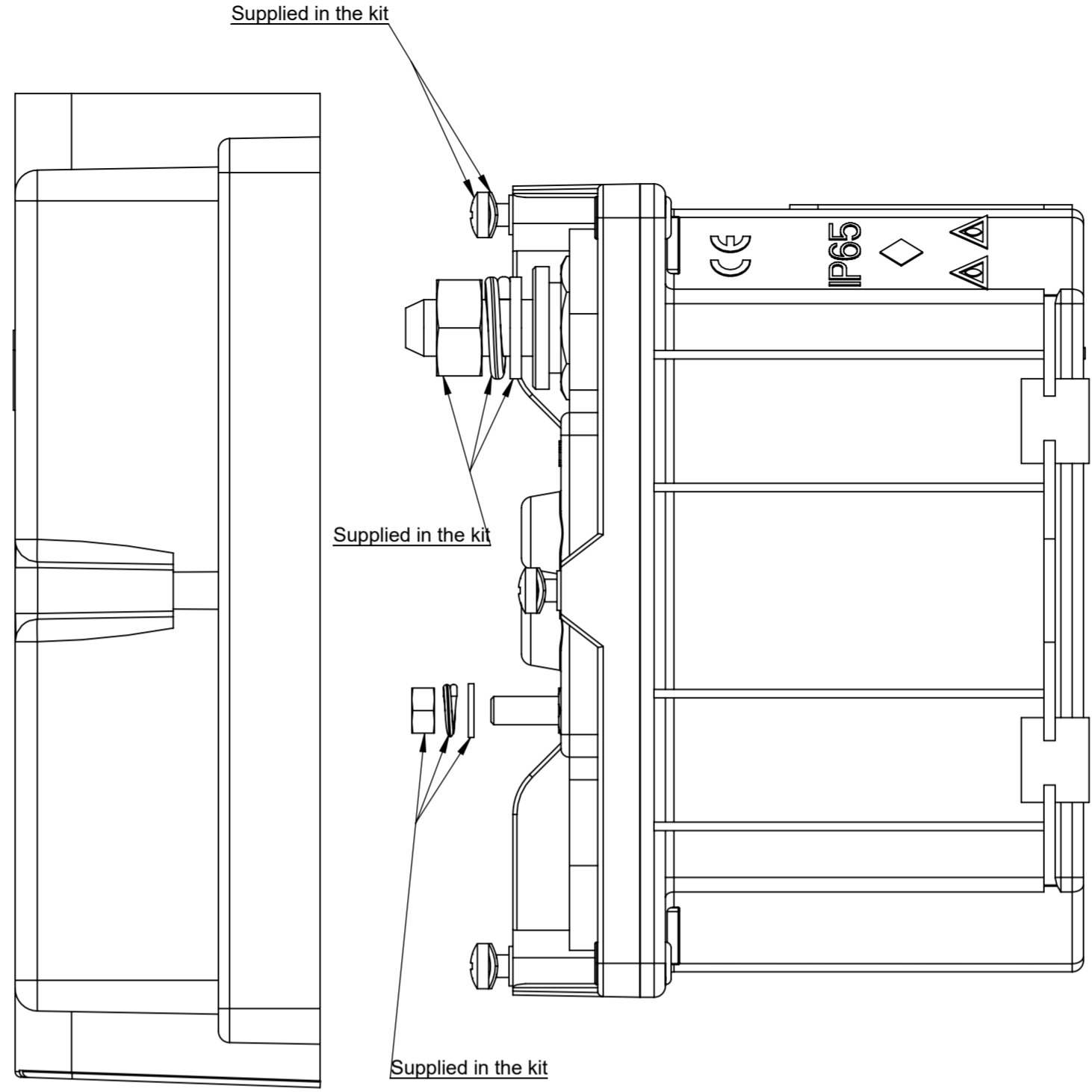
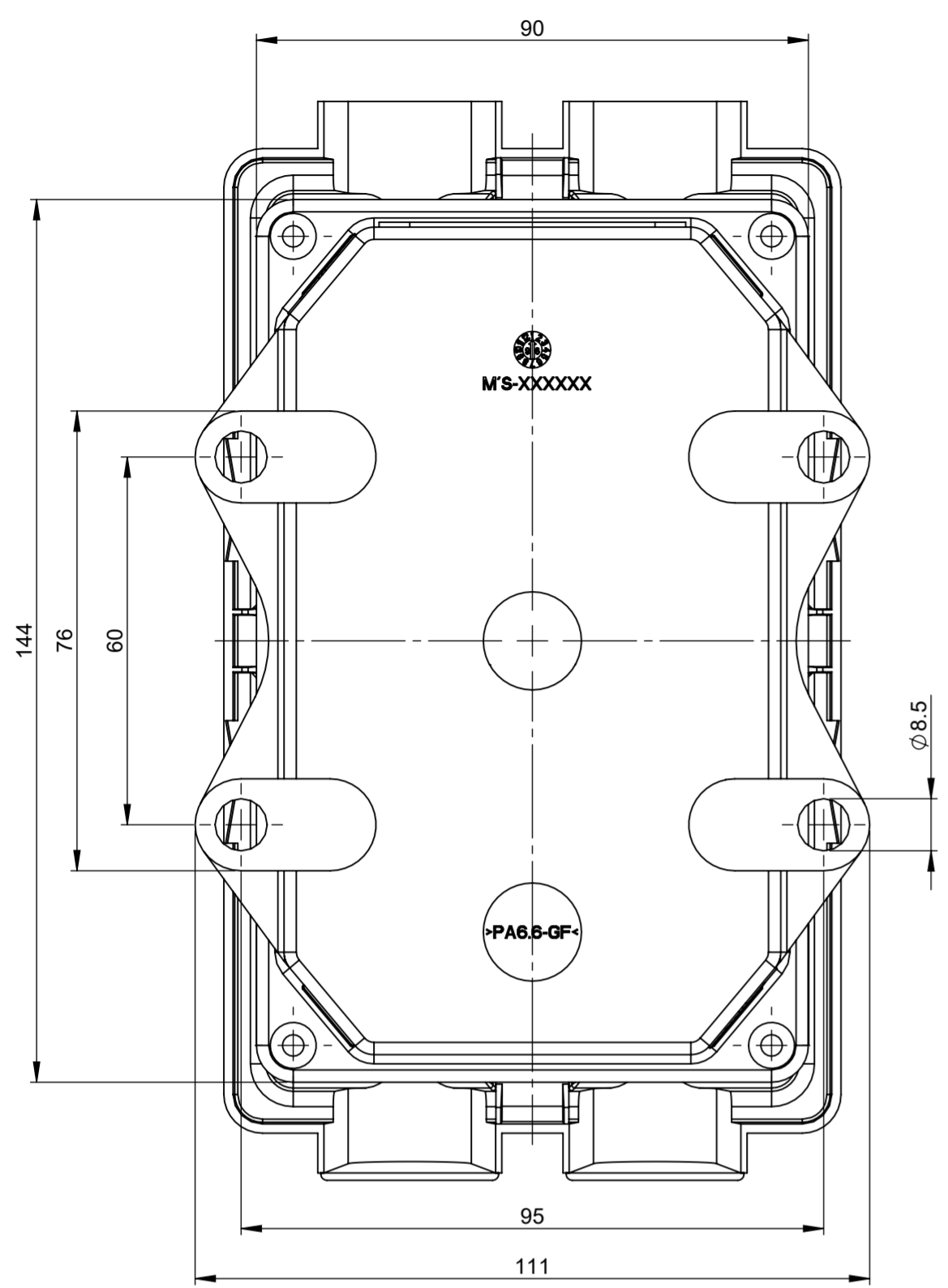
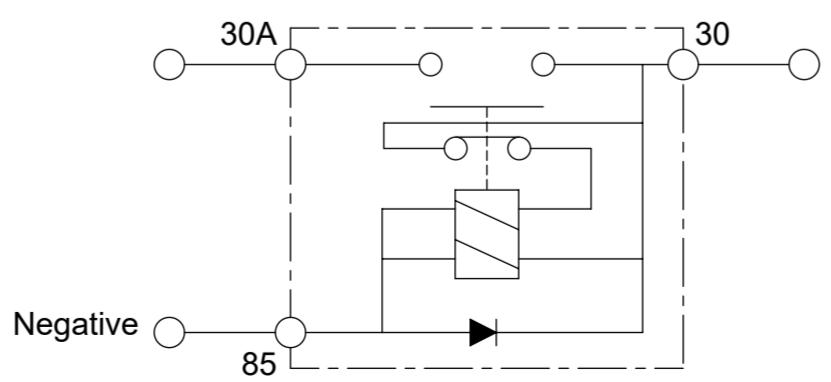


THIS DRAWING AND THE INFORMATION CONTAINED WITHIN IT ARE CONFIDENTIAL AND MAY NOT BE COPIED OR DISCLOSED WITHOUT THE WRITTEN PERMISSION OF LITTELFUSE.

REVISIONS		DATE	GCF / ECR	DESIGNED	APPROVED
REV.	DESCRIPTION				
A	Initial Release	29 Jul 2022		L.Dal Molin	M.Tinto



ELECTRICAL DIAGRAM



CHARACTERISTICS

- Nominal tension: 12 - 24V
- Maximum continuous current: 250A
- Maximum current: 2000A for 30 sec.
- Number of mechanical and electrical cycles: 100.000
- Tightening torque M10 nuts: 20 Nm max
- Tightening torque M5 nuts: 1.6 ± 0.4 Nm
- Tightening torque M4 screw: 0.8 ± 0.2 Nm
- Fix the device to the structure by the M8 screws and plane washer with a torque of 10 ± 2 Nm.

DIMENSIONS AND TOLERANCES IN MILLIMETERS, DEFINED ACCORDING TO ISO 1101-2017.

linear dimensions						
0,5	>3	>6	>30	>120	>400	>1000
3	6	30	120	400	1000	2000
±0,2	±0,3	±0,5	±0,8	±1,2	±2	±3

angle (for range of lengths)			
up to 10	>10	>50	>120
±1°30'	±1°	±0°30'	±0°15'

●	FIT/ FUNCTION CRITICAL CHARACTERISTICS SYMBOL	
<S>	SAFETY/ COMPLIANCE CRITICAL CHARACTERISTICS SYMBOL	
CPK	DENOTES CPK DIMENSIONS MINIMUM CPK VALUE	
ST	DENOTES A CHARACTERISTIC THAT PROVIDES AN INDICATION OF PROCESS PERFORMANCE. PROCEDURE FOR MEASUREMENT AND TRACKING TO BE DEFINED IN LITTELFUSE INSPECTION INSTRUCTIONS	
CP	DENOTES CP DIMENSIONS. MINIMUM CP VALUE MUST BE WITHIN THE DIMENSIONAL LIMITATIONS SHOWN ON DRAWING AND INITIALLY LOCATED TO ALLOW FOR MAXIMUM TOOL LIFE	
NAME		DATE
DRAWN		L. Dal Molin 29 Jul 2022
CHECKED		-
-		-
-		-
-		-
FORM NO. CVP-PE40-0013 REV A		TITLE
FIRST ANGLE PROJECTION		Electrical Bms Tgc/B 24V(+)
SIZE: A2		Protection
SCALE 1:1		OL-08094561
DO NOT SCALE DRAWING		OUTLINE REV. A
SHEET 1 OF 1		

