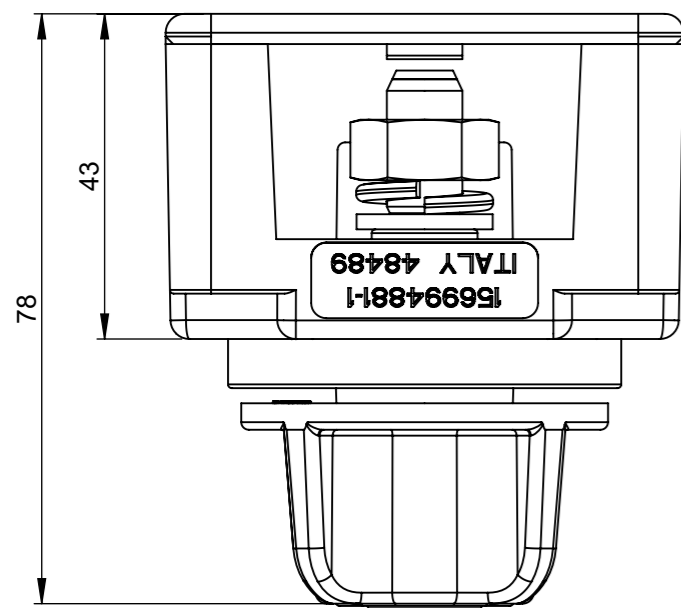
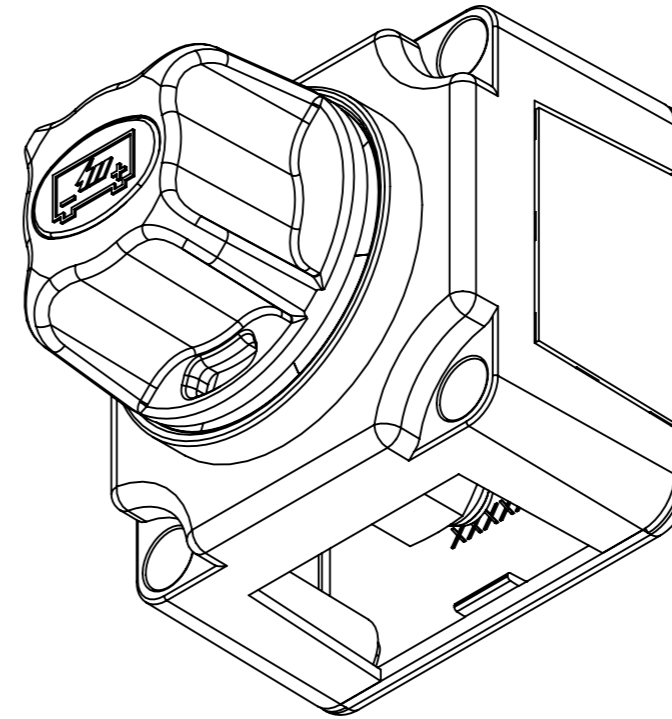
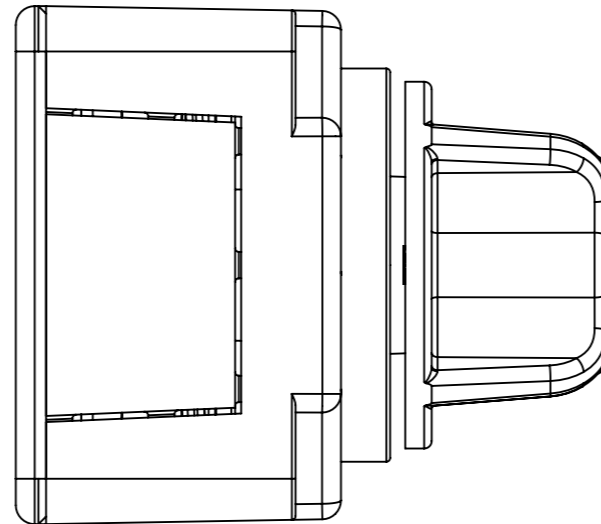
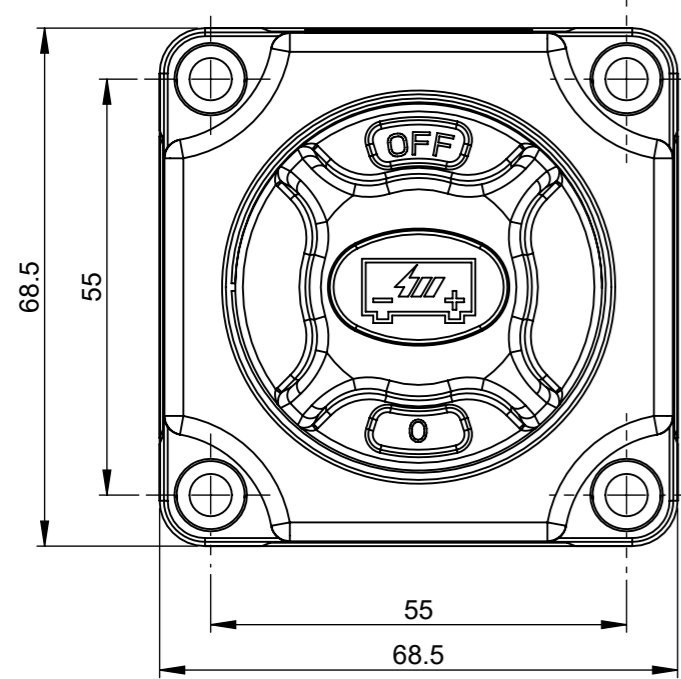


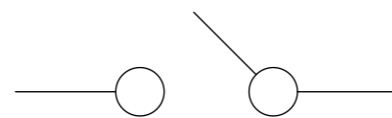
THIS DRAWING AND THE INFORMATION CONTAINED WITHIN IT ARE CONFIDENTIAL AND MAY NOT BE COPIED OR DISCLOSED WITHOUT THE WRITTEN PERMISSION OF LITTELFUSE.

REVISIONS

| REV. | DESCRIPTION | DATE | DESIGNED | APPROVED |
|------|-----------------|-----------|-------------|----------|
| A | Initial Release | 28-Jul-22 | L.Dal Molin | M.Tinto |



ELECTRICAL DIAGRAM



CHARACTERISTIC AND PRESCRIPTION

- Nominal voltage: 8V±32V
- Maximum continuous current: 150A
- Maximum current 1000A for 5 sec
- Maximum short time current 400A for 30 sec
- Tightening torque M10 nuts: 10 ± 1Nm
- Tightening torque M5 nuts: 6 ± 1Nm
- Handle with four step 90° ON-OFF / ON-OFF 360° rotate continuous

DIMENSIONS AND TOLERANCES IN MILLIMETERS, DEFINED ACCORDING TO ISO 1101-2017.

| linear dimensions | | | | | | |
|-------------------|------|------|------|------|------|-------|
| 0,5 | >3 | >6 | >30 | >120 | >400 | >1000 |
| 3 | 6 | 30 | 120 | 400 | 1000 | 2000 |
| ±0,2 | ±0,3 | ±0,5 | ±0,8 | ±1,2 | ±2 | ±3 |

| angle (for range of lengths) | | | |
|------------------------------|-----|--------|--------|
| up to | >10 | >50 | >120 |
| 10 | 50 | 120 | 400 |
| ±1°30' | ±1° | ±0°30' | ±0°15' |

| | |
|-----|---|
| ● | FIT/ FUNCTION CRITICAL CHARACTERISTICS SYMBOL |
| <S> | SAFETY/ COMPLIANCE CRITICAL CHARACTERISTICS SYMBOL |
| CPK | DENOTES CPK DIMENSIONS MINIMUM CPK VALUE |
| ST | DENOTES A CHARACTERISTIC THAT PROVIDES AN INDICATION OF PROCESS PERFORMANCE. PROCEDURE FOR MEASUREMENT AND TRACKING TO BE DEFINED IN LITTELFUSE INSPECTION INSTRUCTIONS |
| CP | DENOTES CP DIMENSIONS, -MINIMUM CP VALUE MUST BE WITHIN THE DIMENSIONAL LIMITATIONS SHOWN ON DRAWING AND INITIALLY LOCATED TO ALLOW FOR MAXIMUM TOOL LIFE |

| | | | |
|------------------------|---------------------|------------|--|
| DRAWN | L. Dal Molin | 2 Apr 2019 | <p>Littelfuse Expertise Applied Answers Delivered</p> |
| CHECKED | - | - | |
| FORM NO. | CVP-PE40-0013 REV A | | |
| FIRST ANGLE PROJECTION | | | |
| TITLE | | | IGC-150 MANUAL KNOB TO SCALE 1:1 SHEET 1 OF 1 |
| SIZE | A3 | DWG. NO. | |
| DO NOT SCALE DRAWING | | SCALE 1:1 | OL-08081600 OUTLINE REV. A |