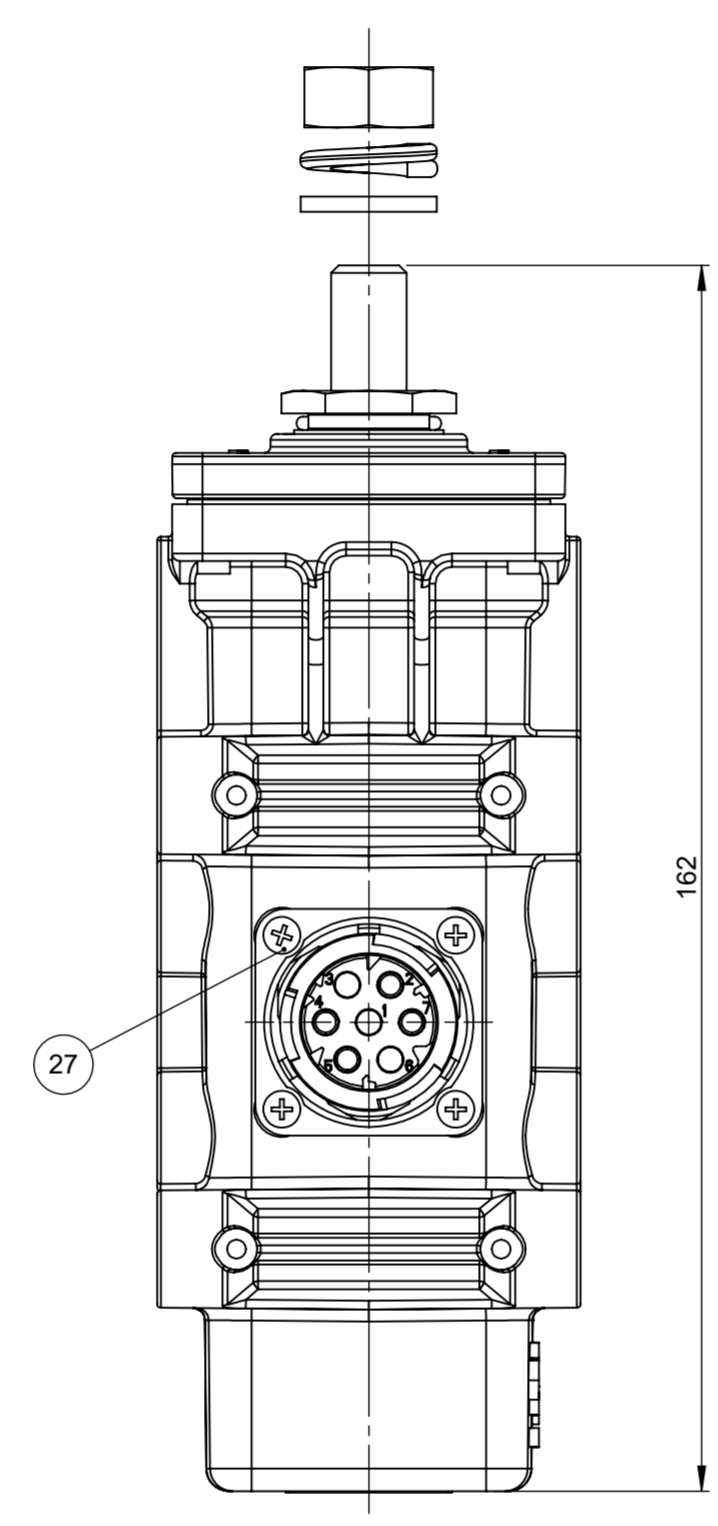
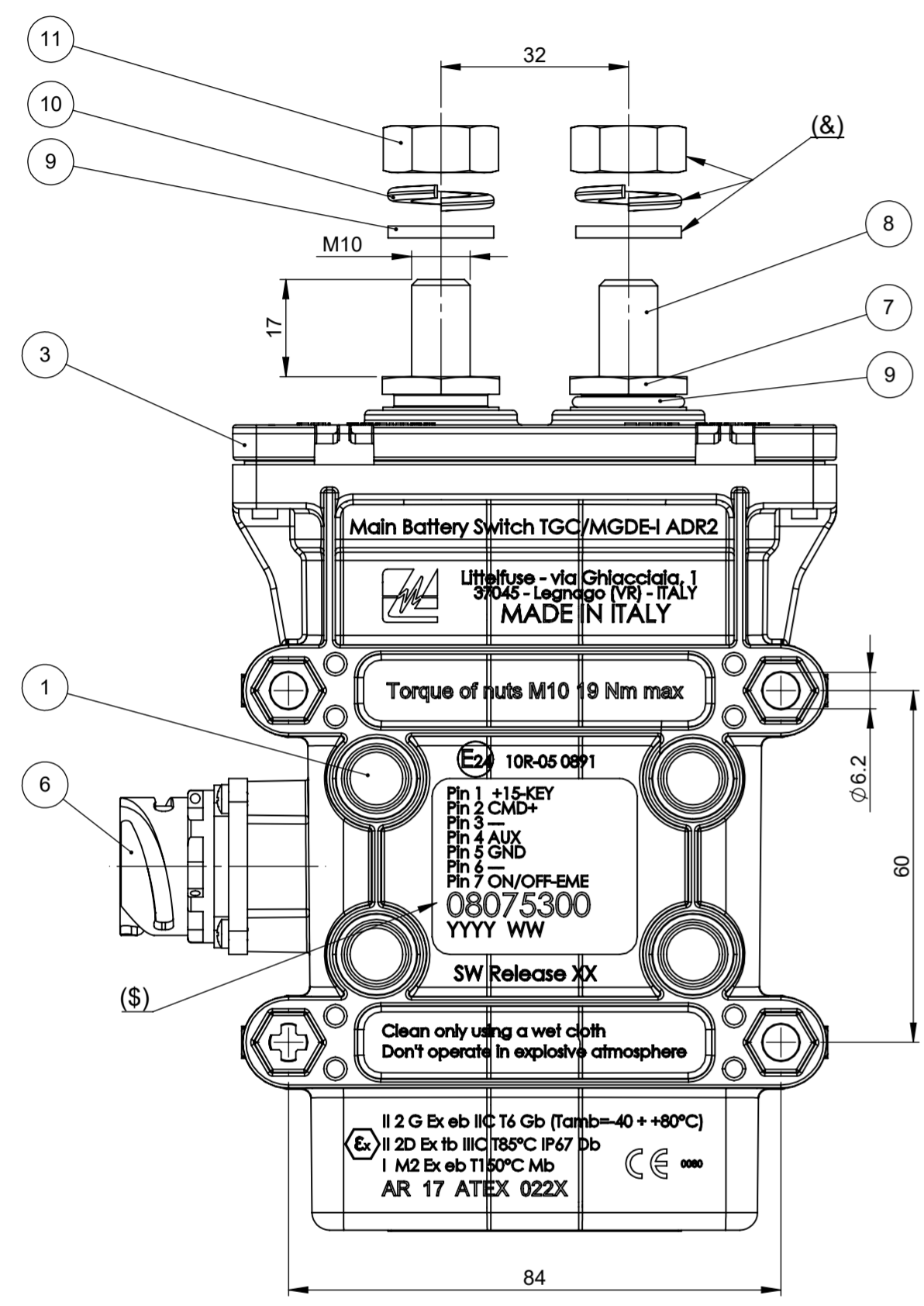


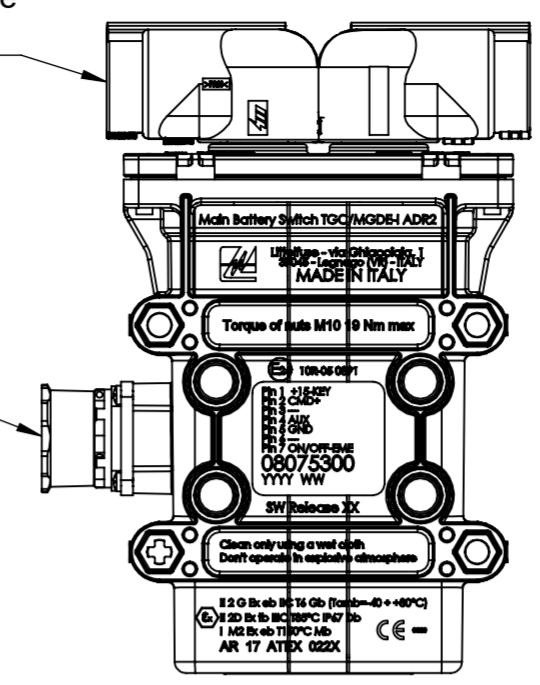
THIS DRAWING AND THE INFORMATION CONTAINED WITHIN IT ARE CONFIDENTIAL AND MAY NOT BE COPIED OR DISCLOSED WITHOUT THE WRITTEN PERMISSION OF LITTELFUSE.

REV.	DESCRIPTION	DATE	DESIGNED	APPROVED
A	First issue of outline drawing	01-Apr-21	L.Dal Molin	M.Tinto

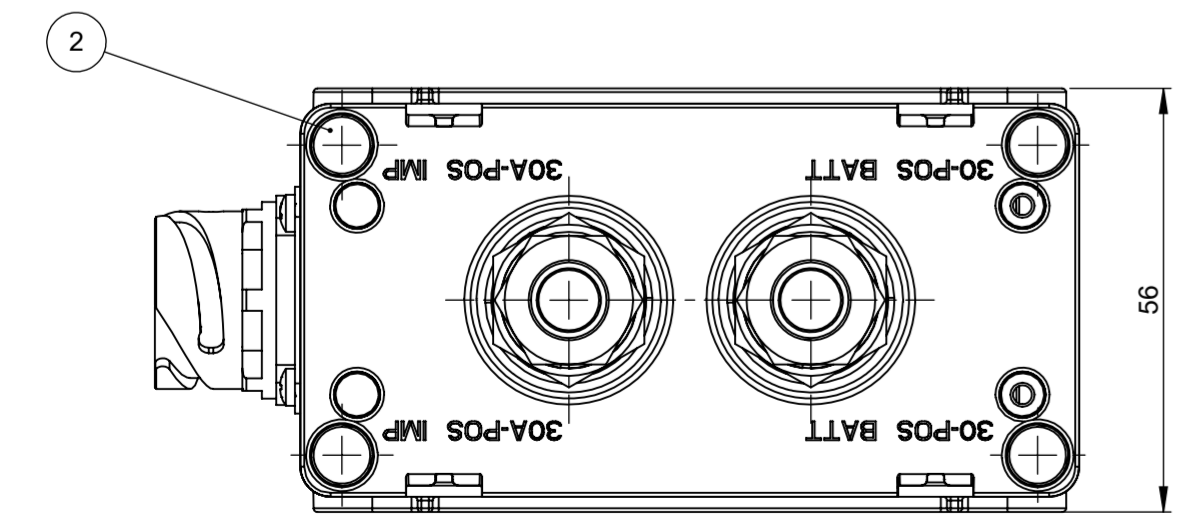


Open rigid protection for power cord w/NW17-22 corrugated tube INCLUDED

Throaway connector cap INCLUDED



SCALE 1:2



POS.	DESCRIPTION	MATERIAL	Q.TY	U/M
11	Nut M10	Brass	2	EA
10	Spring washer	Bronze	2	EA
9	Plain washer 10.2x18x2	Brass	2	EA
8	Power stud M10xshort	Copper	2	EA
7	Fixing nut for screw	Copper	2	EA
6	Body connector	PBT	1	EA
5	OR ring	Silicon	1	EA
4	Self-tapping screw TCCIC 3x12	Steel	4	EA
3	Top cover	Thermosetting	1	EA
2	Rivet box TGC	Steel	4	EA
1	Box short connector screws	PBT	1	EA
POS.	DESCRIPTION	MATERIAL	Q.TY	U/M

**PRESCRIPTIONS**

- Torque of screw M10 = 19Nm max
- Fix the device with M6 screw and with torque of 6±2 Nm
- (&) Provided in the kit
- (\$) p/N of product
- This product is supplied in the complete kit

**CHARACTERISTICS**

- Nominal voltage: 12V or 24V
- Working current main contact: 250A
- Max current main contact: 2000A for 5 sec

DOCUMENTO CORRELATO AL CERTIFICATO:  
DOCUMENT CORRELATED TO THE CERTIFICATE:

**AR 17 ATEX 022X**

Non sono ammesse modifiche senza l'approvazione della "Persona Autorizzata".  
No modify is allowed without the "Authorized Person" approval.

SAP drawing number:

Material and treatments:

DIMENSIONS AND TOLERANCES IN MILLIMETERS, DEFINED ACCORDING TO ISO 1101-2017.				
linear dimensions				
0,5	>3	>6	>30	>120
3	6	120	400	1000
±0,2	±0,3	±0,5	±0,8	±1,2
±2	±2	±2	±2	±3
angle (for range of lengths)				
up to 10	>10	>50	>120	>400
±1°30'	±1°	±0°30'	±0°15'	±0°15'
●	FIT/ FUNCTION CRITICAL CHARACTERISTICS SYMBOL			
<S>	SAFETY/ COMPLIANCE CRITICAL CHARACTERISTICS SYMBOL			
CPK	DENOTES CPK DIMENSIONS MINIMUM CPK VALUE			
ST	DENOTES A CHARACTERISTIC THAT PROVIDES AN INDICATION OF PROCESS PERFORMANCE. PROCEDURE FOR MEASUREMENT AND TRACKING TO BE DEFINED IN LITTELFUSE INSPECTION INSTRUCTIONS			
CP	DENOTES CP DIMENSIONS. MINIMUM CP VALUE MUST BE WITHIN THE DIMENSIONAL LIMITATIONS SHOWN ON DRAWING AND INITIALLY LOCATED TO ALLOW FOR MAXIMUM TOOL LIFE			
NAME		DATE		
DRAWN	L. Dal Molin	01-Apr-21		
CHECKED	-	-		
<b>Littelfuse</b>				
Expertise Applied   Answers Delivered				
TITLE				
ELECTRICAL BMS TGC/MGDE-I ADR2				
FORM NO. CVP-PE40-0013 REV A				
FIRST ANGLE PROJECTION				
SIZE: A2		DWG. NO. OL-08075300		OUTLINE REV. A
DO NOT SCALE DRAWING				
SCALE 1:1		SHEET 1 OF 1		