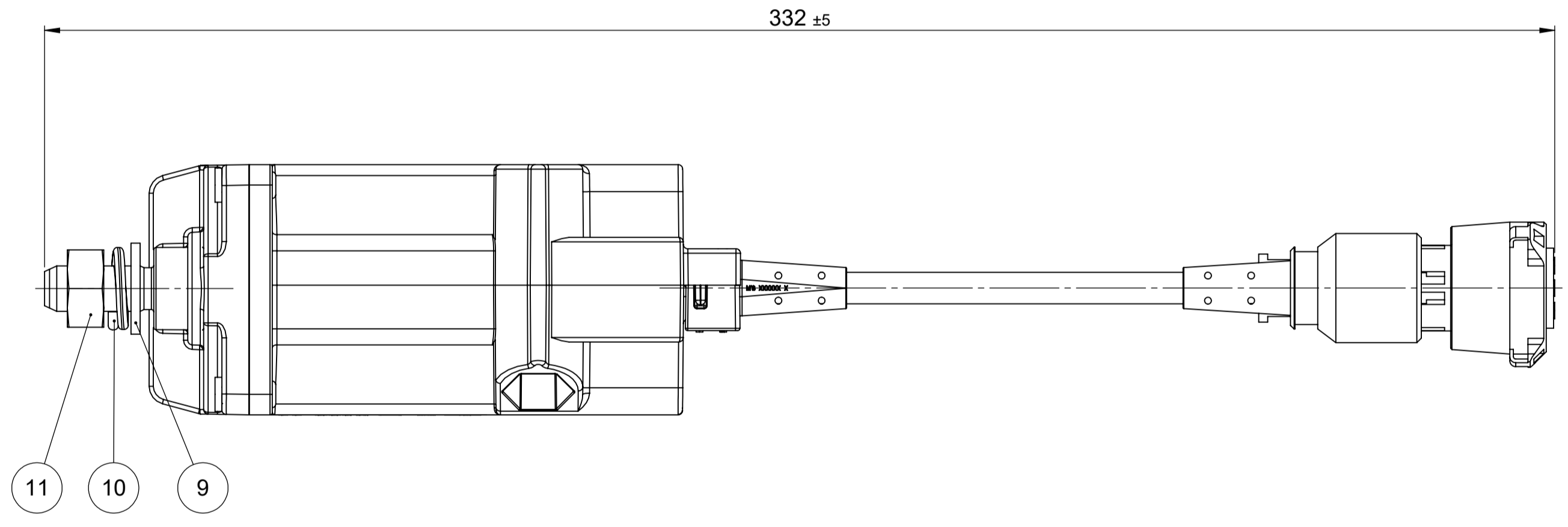
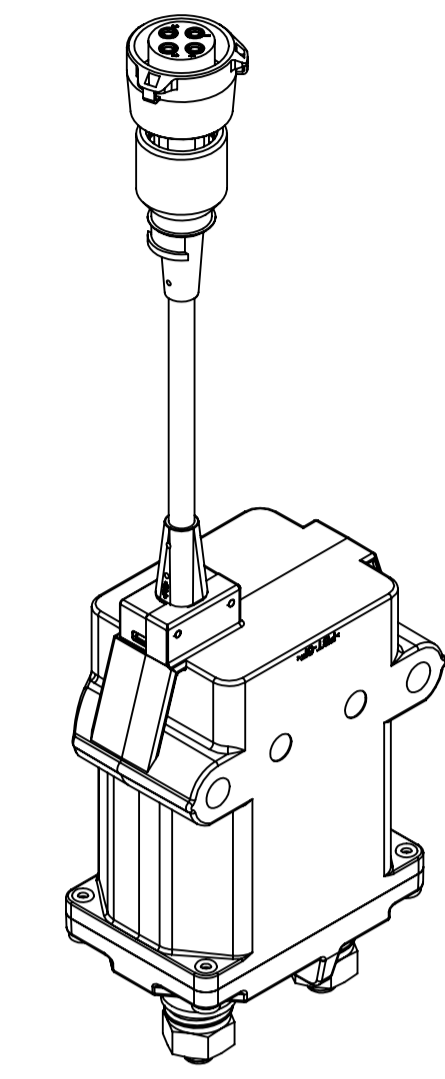
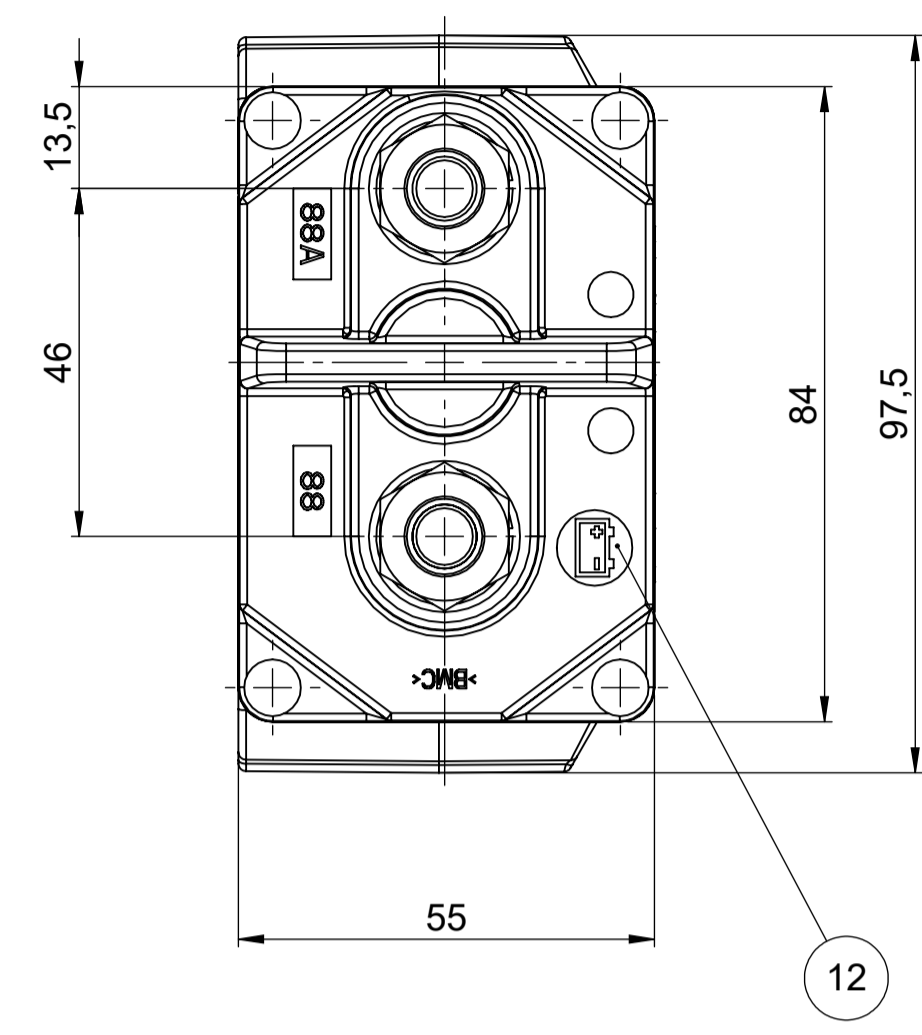
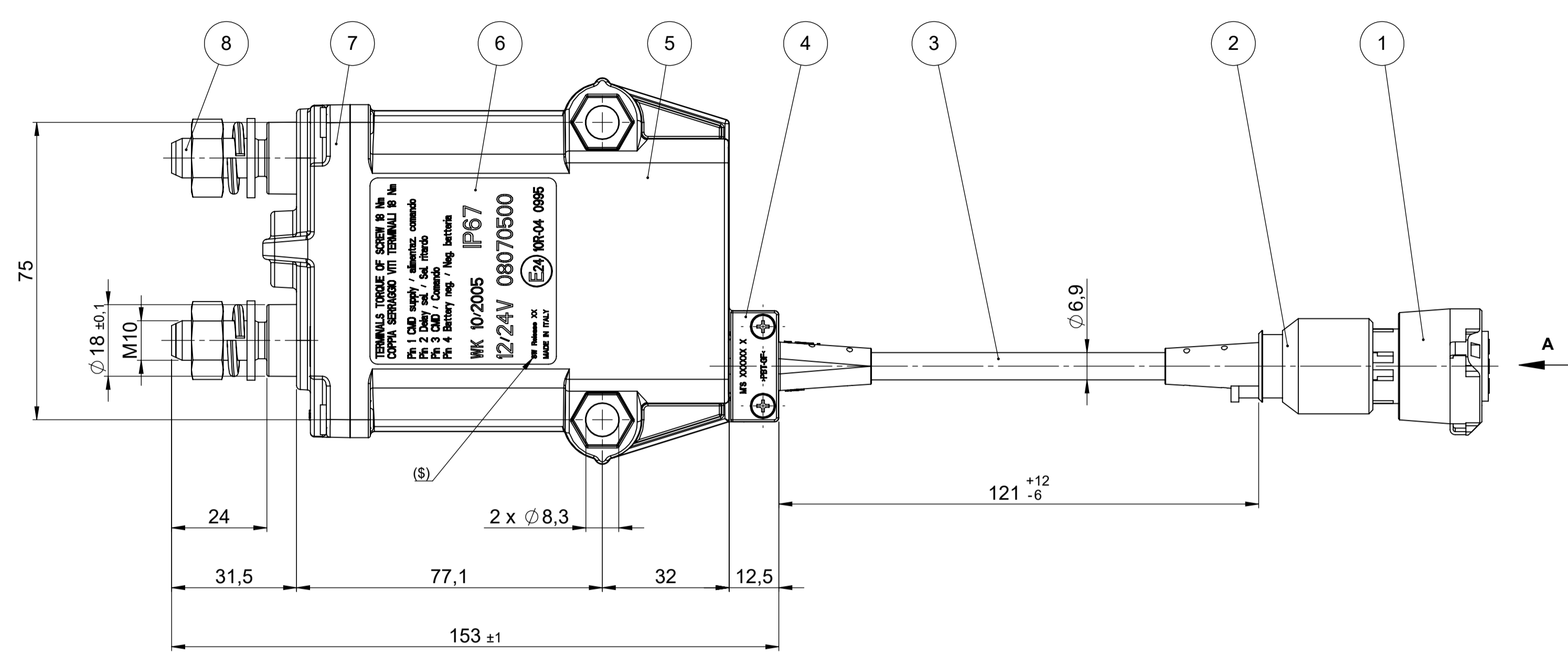


| REVISIONS | | DATE | DESIGNED | APPROVED |
|-----------|--------------------------------|------------|-----------|----------|
| REV. | DESCRIPTION | | | |
| A | FIRST ISSUE OF OUTLINE DRAWING | 09-June-20 | Gasparini | Tinto |



LEGEND

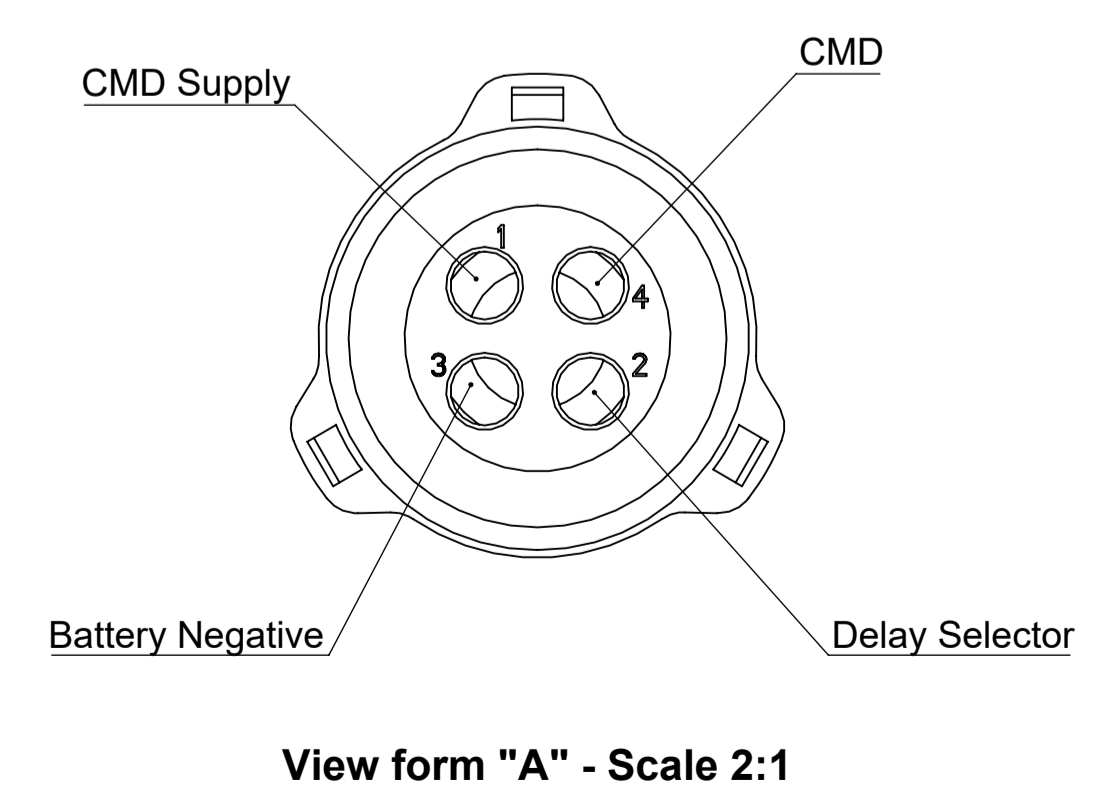
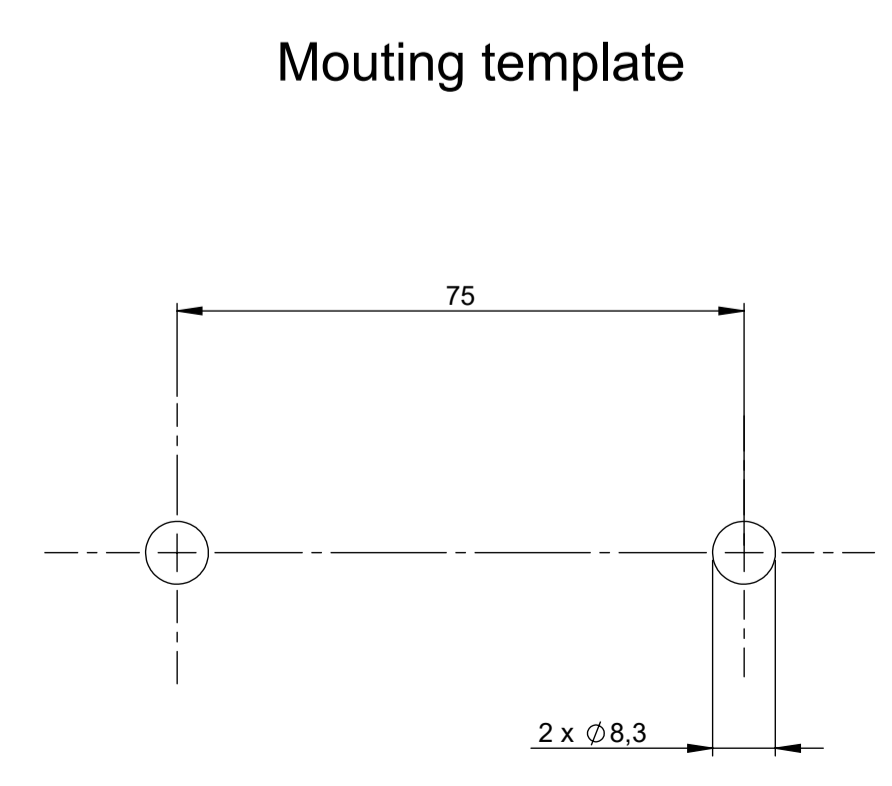
- 1) Plug connector 4 ways DIN 72585-1 ITT CANNON 121583-00 in thermoplastic PBT colour black
- 2) Protection for ITT CANNON connector 058-8578-100 in thermoplastic PBT colour black
- 3) 4 ways wiring 4x1 mm² in thermoplastic PVC colour black
- 4) Cable clamp in thermoplastic PBT colour black
- 5) Box in thermoplastic PBT colour black
- 6) Indestructible adhesive label with manufacturing week and year, P/N and pin-out connections
- 7) Studs holder cover in BMC colour black
- 8) M10 power studs in silver plated copper
- 9) Plane washer in stainless steel
- 10) Spring washer in stainless steel
- 11) M10 nut in stainless steel
- 12) Battery pole red label

FEATURES

- Max continuous current: 250A
- Number of electrical and mechanical cycles: 45.000
- ($\$$): Software Revision

NOTES

- Supplying state: main bridge open
- Components ref.9.10 and 11 are supplied in the kit
- Locking torque nuts M10:18±1Nm
- Fix the device to the structure by means of M8 screws with locking torque 10±2Nm



| linear dimensions | |
|-------------------|-------|
| 0,5 | >3 |
| ±0,2 | ±0,3 |
| >6 | >30 |
| ±0,5 | ±0,8 |
| >120 | >400 |
| ±1,2 | ±2 |
| >1000 | >2000 |
| ±3 | ±3 |

| angle (for range of lengths) | |
|------------------------------|--------|
| up to 10 | >120 |
| ±1°30' | ±0°30' |
| ±1° | ±0°15' |

| | |
|------|--|
| ● | FIT: FUNCTION CRITICAL CHARACTERISTICS SYMBOL |
| <S> | SAFETY: COMPLIANCE CRITICAL CHARACTERISTICS SYMBOL |
| CPK | DENOTES CPK DIMENSIONS MINIMUM CPK VALUE |
| (ST) | DENOTES A CHARACTERISTIC THAT PROVIDES AN INDICATION OF PROCESS PERFORMANCE PROCEDURE FOR MEASUREMENT AND TRACKING TO BE DEFINED IN LITTELFUSE INSPECTION INSTRUCTIONS |
| CP | DENOTES CP DIMENSIONS. MINIMUM CP VALUE MUST BE WITHIN THE DIMENSIONAL LIMITATIONS SHOWN ON DRAWING AND INITIALLY LOCATED TO ALLOW FOR MAXIMUM TOOL LIFE |

| NAME | DATE |
|-------------------|------------|
| DRAWN L. De Miori | 09/05/2019 |
| CHECKED | |

| | |
|------------------------------|---|
| FORM NO. COP-RES-02013 REV.1 | TITLE |
| FIRST ANGLE PROJECTION | General Electrical 12/24V Main Switch TGC/RME-M53 (+) |
| SIZE: A1 | SCALE: 1:1 |
| DO NOT SCALE DRAWING | OUTLINE REV. A |

SAP drawing number:
Material and treatments:



General Electrical 12/24V Main Switch TGC/RME-M53 (+)
OL-08070500