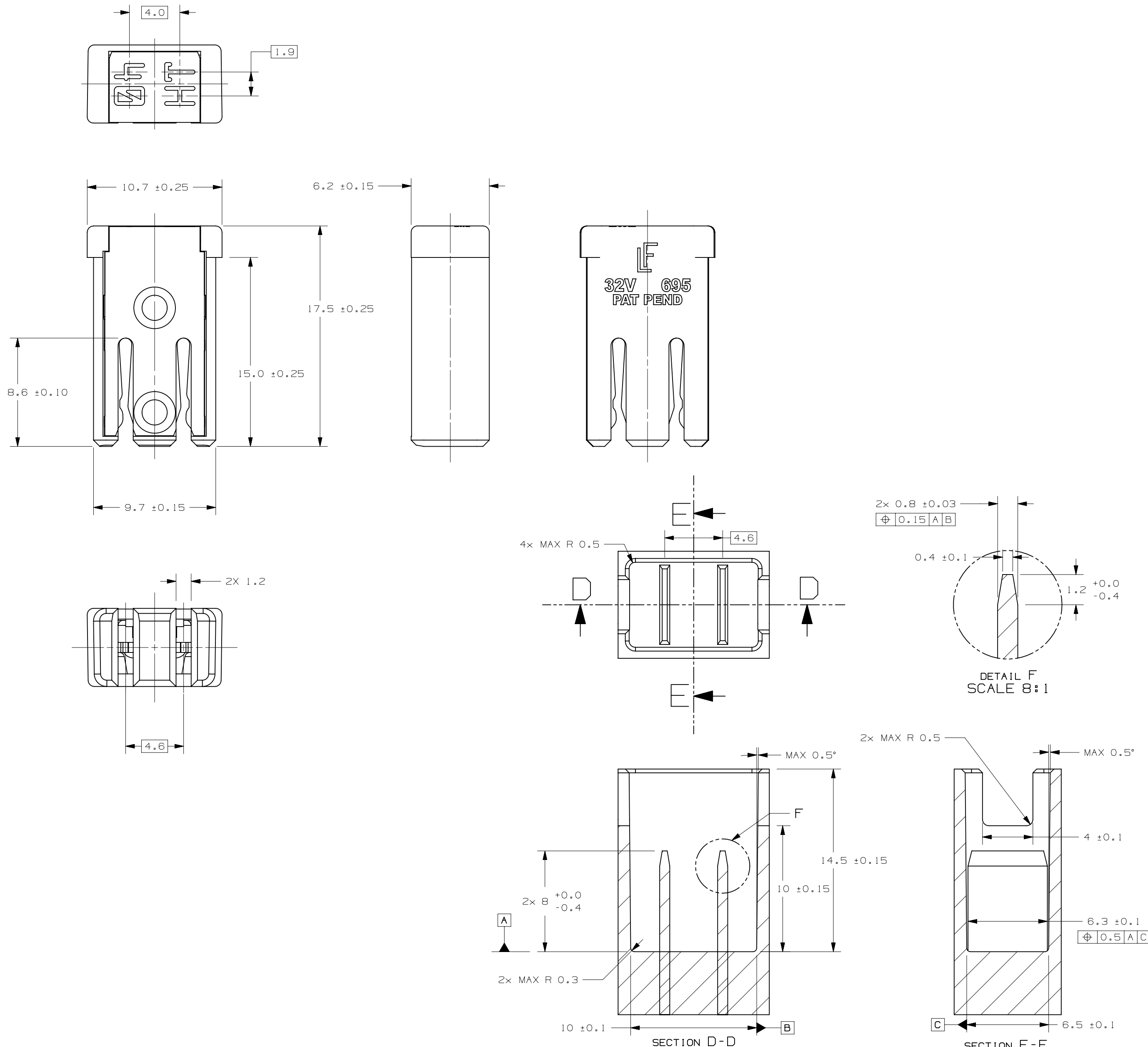


LTR	DATE	REVISION	CHK	APD
A	19OCT18	519911ERA RELEASE JJB		
B	4/OCT/19	521423ECA-REMOVE PCB AND ADD "HT" ON STAMP MARKED OPL	OMA	
C	26/DEC/19	521825ECA-UPDATE RECOMMENDED CAVITY VRV	VRV	
D	15/APR/20	522062ECA-ADD RECOMMENDED MATING CAVITY OPL	OMA	



- NOTES:
- MATING MALE BLADE PARAMETERS:
 BLADE WIDTH - 6.2mm MIN
 BLADE THICKNESS - 0.8+0.04/-0.03mm.
 BLADE LENGTH - 8.0±0.4mm.
 BLADE CENTERLINE SPACING - 4.6±0.1mm.
 - INTERRUPTING RATING - 1000A @32VDC.
 - CURRENT RATING TO BE MARKED IN BLACK ON TOP OF PART.
 - RATING STAMP MARKED WITH OCR-B CHARACTERS 2.4 X 1.5mm.

OVERLOAD CONDITION (% OF RATED CURRENT)	OPENING TIME (s)	
	MINIMUM	MAXIMUM
110	100 hrs.	-
135	60	1800
200	2	60
350	0.2	7
600	0.04	1

EAR99

UNLESS OTHERWISE SPECIFIED, DIMENSIONS ARE IN MILLIMETERS. DIMENSIONS IN BRACKETS [] ARE INCHES.

UNLESS OTHERWISE SPECIFIED, DIMENSIONS DO NOT INCLUDE PLATING.

⊙ DENOTES CRITICAL CHARACTERISTICS.

CPK DENOTES CPK DIMENSIONS, -MINIMUM CPK VALUE

ST DENOTES A CHARACTERISTIC THAT PROVIDES AN INDICATION OF PROCESS PERFORMANCE. PROCEDURE FOR MEASUREMENT AND TRACKING TO BE DEFINED IN LITTELFUSE INSPECTION INSTRUCTIONS

CP DENOTES CP DIMENSIONS, -MINIMUM CP VALUE MUST BE WITHIN THE DIMENSIONAL LIMITATIONS SHOWN ON DRAWING AND INITIALLY LOCATED TO ALLOW FOR MAXIMUM TOOL LIFE

COPIES TO: MATL SPEC HOUSING: POLYPHTHALAMIDE COVER: NYLON ELEMENT: COPPER ALLOY

1	9	18		
2	10	19		
3	12	20		
4	13	21	DRW JJB	DATE 12/22/2014
5	14	23		SCALE 4:1
6	15	33	CHK	DATE
7	16	43		SUPER DR
8	17	53	APPD	DATE
				FINSH GOOD WT
				GRAMS/PIECE

TOLERANCES UNLESS OTHERWISE SPECIFIED (REF. ISO 2768-mK)

DIMENSION	0.5 - 3	3 - 6	6 - 30	30 - 120	120 - 400
TOLERANCE	+0.1	+0.1	+0.2	+0.3	+0.5

3RD ANGLE PROJECTION

TITLE: SLOTTED MCASE+ OUTLINE DRAWING

METRIC ASSEMBLY

Littelfuse CHICAGO, USA

REVISION: DRWG. NO. D 0L-0695000.PXPS-HT

RECOMMENDED MATING CAVITY
 SLOTTED MCASE CAVITY
 APPLY UP TO 60A FUSE RATING

PART NUMBER	CURRENT RATING (A)	HOUSING COLOR	RATING CHARACTER COLOR	MAXIMUM VOLTAGE DROP AT 100% I _c (mV)	VOLTAGE RATING (VDC)
0695040.PXPS-HT	40 (HIGH TEMP)	GREEN	BLACK	120	32
0695050.PXPS-HT	50 (HIGH TEMP)	RED	BLACK	120	32
0695060.PXPS-HT	60 (HIGH TEMP)	YELLOW	BLACK	120	32

CAD GENERATED DRAWING - NO PENCIL CHANGES ALLOWED