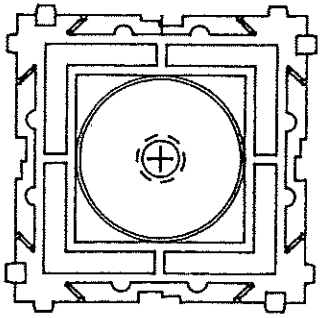
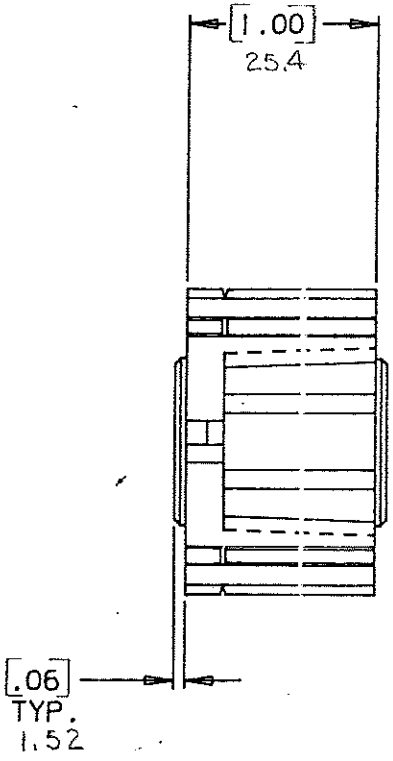
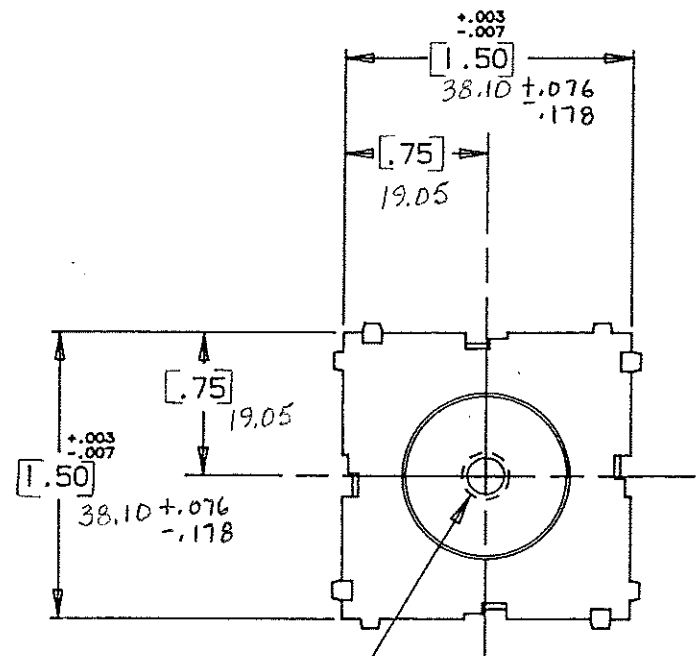


M8 X 1.25	354539	108 LB.-IN (12.0 N.m)
"A" TAP	LITTELFUSE N ^o	RECOMENDED TORQUE



"A" TAP THRU
(SEE CHART)

NOTE:
ALL DIMENSIONS ARE IN MILLIMETERS.
ENGLISH DIMENSIONS IN [].

CERTIFICATION OF
COUNTRY OF ORIGIN
REQUIRED

COPIES TO	18	MAT'L. SPEC.	Nylon Color: Black
	19	FINISH	
	20	DR.	GES. Oct 25 94
	21	CHK.	A. Appleby
22	2	DATE	10-26-94
23	3	RAW STK. WT.	LBS./M
24	4	TOLERANCE UNLESS OTHERWISE SPECIFIED	
25	5	TWO PLACE DEC. ± .50mm [.020] FRACTION ±	
26	6	THREE PLACE DEC. ± .25mm [.010] ANGULAR ±	
27	7	TITLE	
28	8	Power Tap Module	
29	9	Littefuse	
30	10	800 E. NORTHWEST HIGHWAY	
31	11	DES PLAINES, ILLINOIS 60016	
32	12	DRWG. NO. D-03540539Z	
33	13	SCALE	
34	14	SUPER. DR.	
35	15		
36	16		
37	17		
38	18		

LTR	REVISION	CHK.	APD.
A	06559 - RELEASED OCTOBER 25, 94 GES.	GES	AA
B	36988C - ADD METRIC DIM. 7-19-95 RFR	CS	CS
C	37055B - CHANGE TITLE 8-19-95 JOU	TRR	CS
D	000807ER - RE-INSTATE 10/09/09 J.U.		

DRAWING NO.