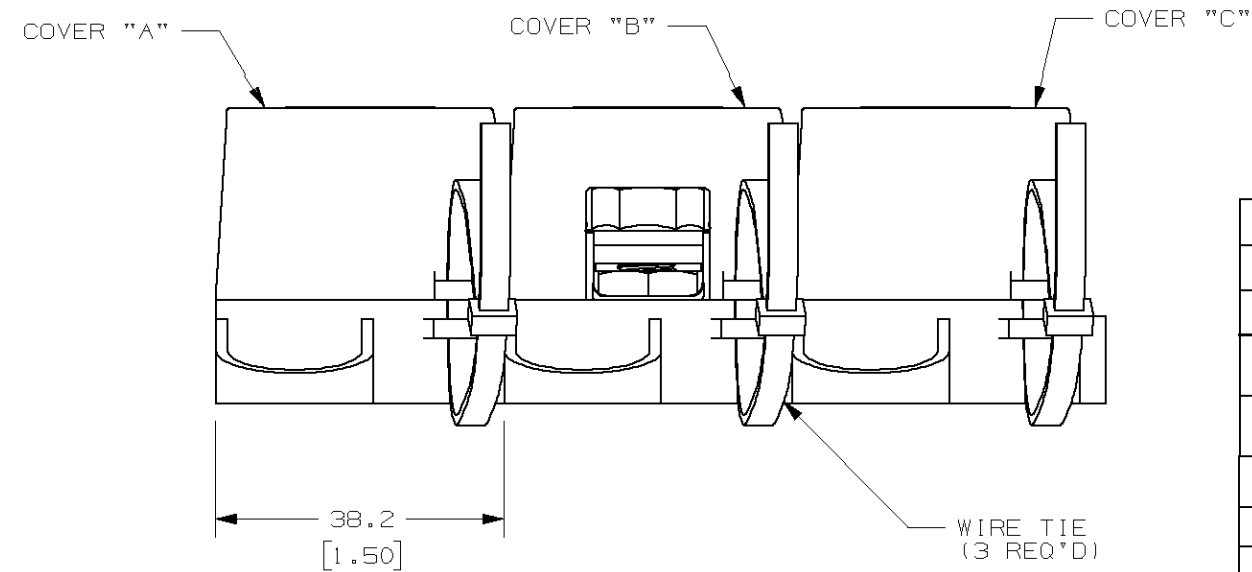
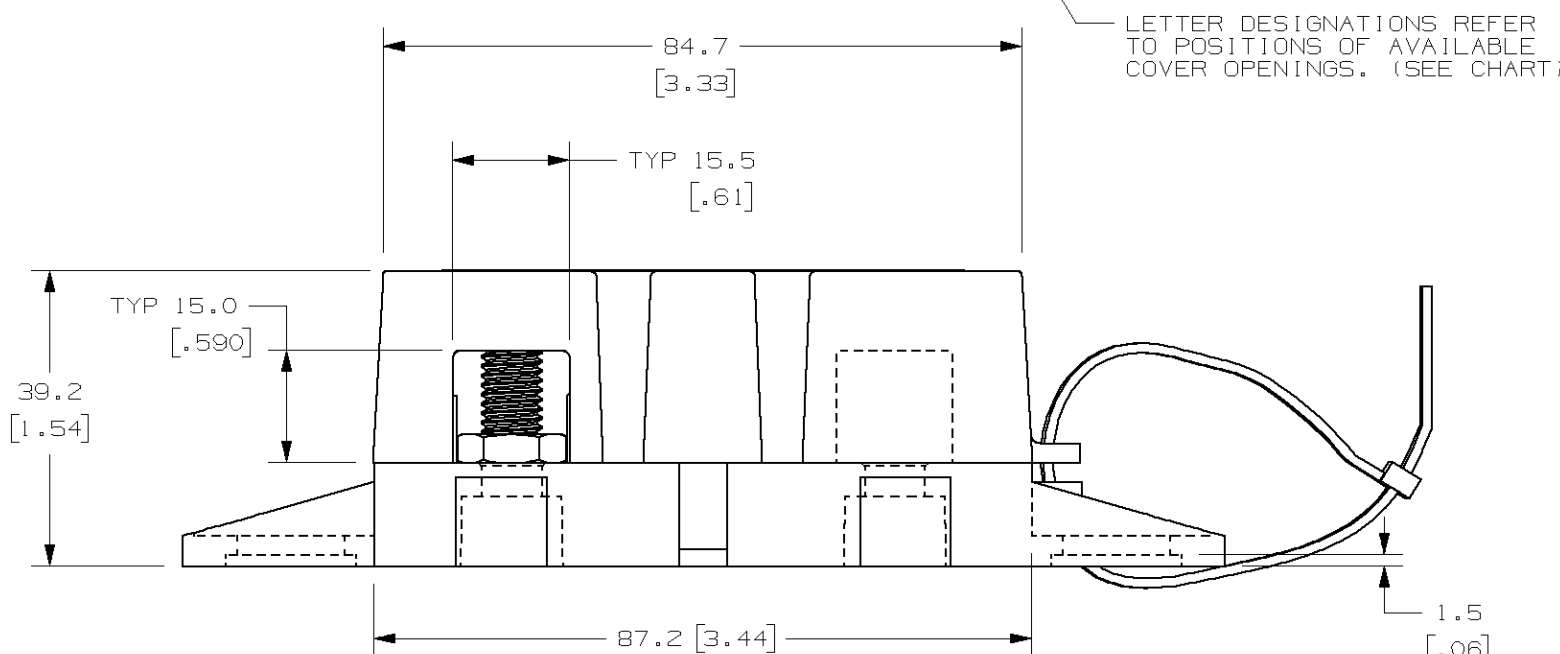
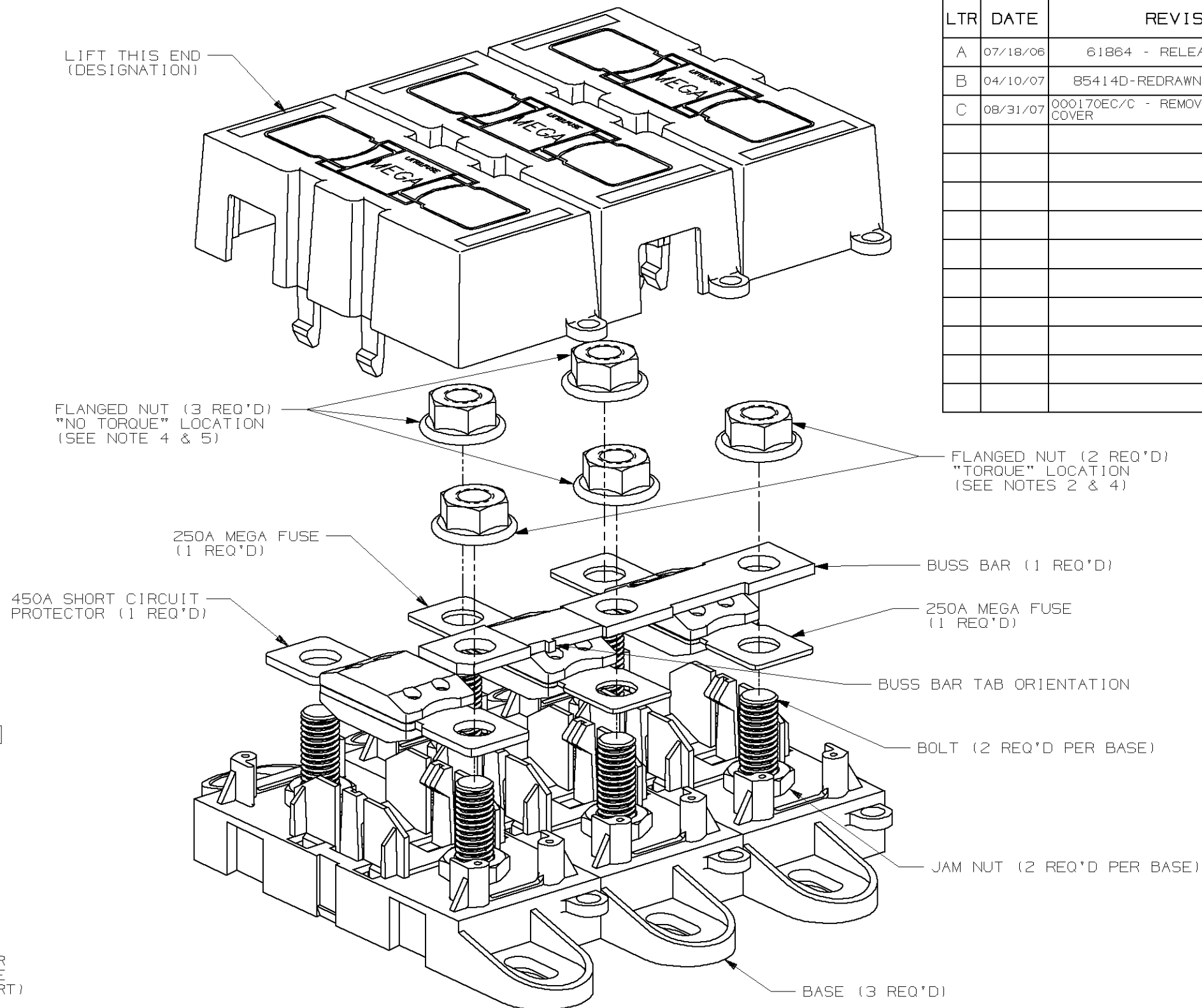
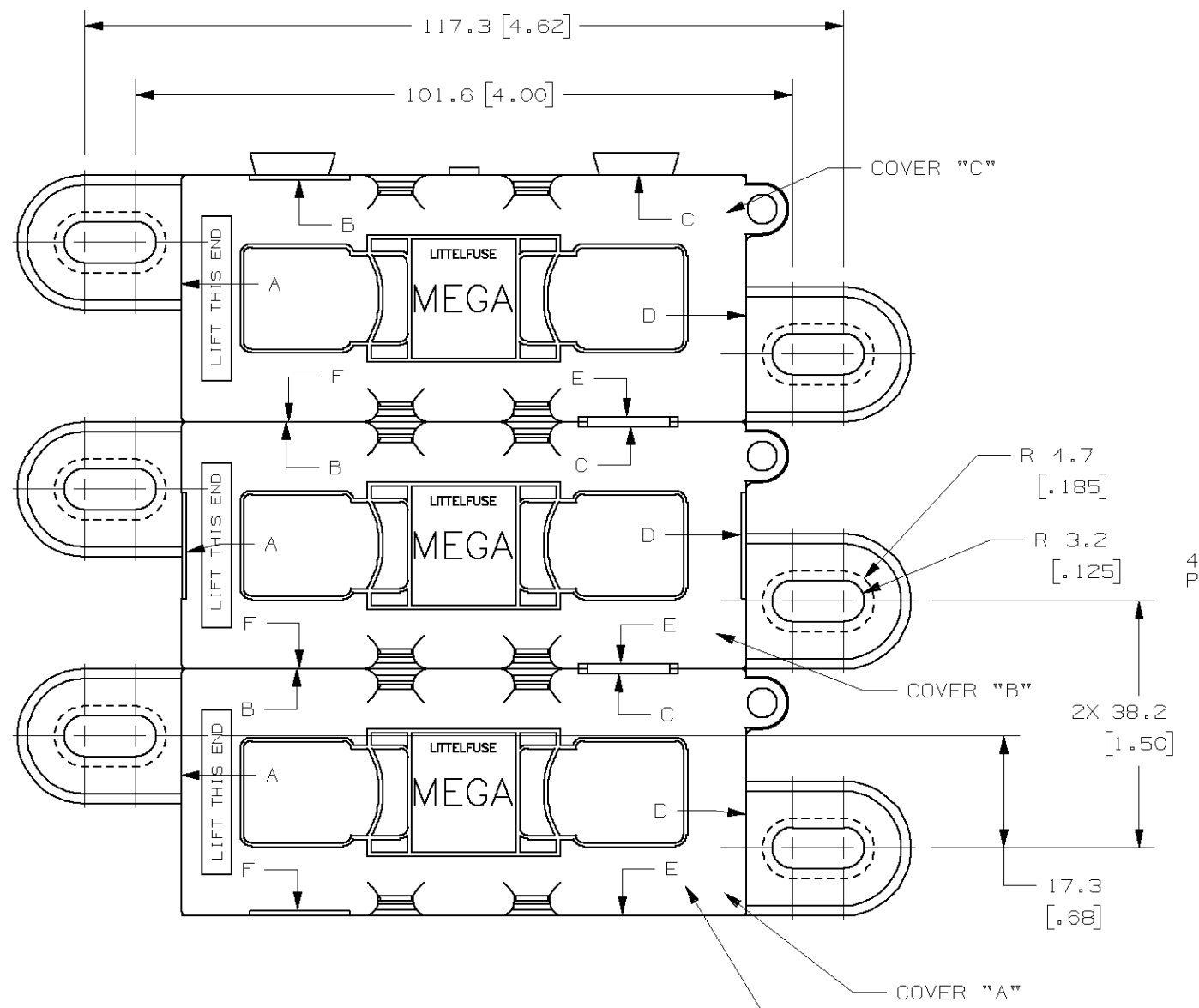


COVER PART	COVER OPENING POSITION
A	C F
B	A C D E
C	B E

LTR	DATE	REVISION	CHK	APD
A	07/18/06	61864 - RELEASED	DJG	
B	04/10/07	85414D-REDRAWN IN UG	GMB	
C	08/31/07	000170EC/C - REMOVE USA FROM COVER	BRK	



GENERAL NOTES:

- COVER RETENTION TEST: MINIMUM FORCE OF 2 LBS. IS REQUIRED TO REMOVE COVER WHEN IT IS SUSPENDED UPSIDE DOWN. FORCE SHALL BE APPLIED THROUGH THE INNER HOLES (2) IN BASE. USE FIXTURE #T-C403 TO SUPPORT PART.
- TORQUE REQUIREMENT FOR MEGA FUSE TERMINAL & CONNECTOR FLANGED NUTS TO BE:
8mm NUT - 12-18 NEWTON METERS (106-159 IN-LBS)
- HOLDER MEETS L/F VALIDATION TEST SPEC. VS-005005.
- FLANGED NUT TO MEET THE FOLLOWING CRITERIA:
FORD PART NO. W520413
FINISH: S437.
- MANUALLY ASSEMBLE FLANGED NUT ONTO STUD AND FINGER TIGHTEN ANYWHERE BELOW TOP OF STUD, FOR ALL "NO TORQUE" LOCATIONS.

6. MATERIALS:

- * BODY - GLASS FILLED THERMOPLASTIC
COLOR - BLACK
- * COVER - THERMOPLASTIC
COLOR - BLACK
- * WIRE TIE - THERMOPLASTIC
COLOR - BLACK
- * STUDS & NUTS - M8 X 1.25 STEEL ZINC PLATED WITH TRIVALENT CHROMATE, LEACHED AND SEALED, INTEGRAL TORQUE CONTROL LUBRICANT FINISH. (MEETS 96 HR. ASTM STD. B-117 SALT SPRAY REQ.)

NO	COMPONENT NO	DESCRIPTION	QTY/M	U/M
BILL OF MATERIAL				
UNLESS OTHERWISE SPECIFIED, DIMENSIONS ARE IN MILLIMETERS. DIMENSIONS IN BRACKETS [] ARE INCHES				
UNLESS OTHERWISE SPECIFIED, DIMENSIONS DO NOT INCLUDE PLATING.				
⊙	DENOTES CRITICAL CHARACTERISTICS.			
CPK	DENOTES CPK DIMENSIONS. -MINIMUM CPK VALUE			
ST	DENOTES A CHARACTERISTIC THAT PROVIDES AN INDICATION OF PROCESS PERFORMANCE. PROCEDURE FOR MEASUREMENT AND TRACKING TO BE DEFINED IN LITTELFUSE INSPECTION INSTRUCTIONS			
CP	DENOTES CP DIMENSIONS. -MINIMUM CP VALUE MUST BE WITHIN THE DIMENSIONAL LIMITATIONS SHOWN ON DRAWING AND INITIALLY LOCATED TO ALLOW FOR MAXIMUM TOOL LIFE			
COPIES TO		MATL SPEC		
1	9	18	FINISH	
2	10	19		
3	12	20		
4	13	21	DRW	DJG
5	14	23	DATE	02/03/06
6	15	33	SCALE	1:1
7	16	43	CHK	DATE
8	17	53	APPD	DATE
TOLERANCE UNLESS OTHERWISE SPECIFIED ONE PLACE DEC +/- .3 THREE PLACE DEC +/- .100 TWO PLACE DEC +/- .25 ANGULAR +/- .1°				
3RD ANGLE PROJECTION		TITLE 3 POLE MEGA HOLDER FOR 450A & TWO 250A		
Littelfuse		REVISION	DRWG. NO.	OUTLINE
DES PLAINES, ILLINOIS 60016		C	02983006ZXT	



CAD GENERATED DRAWING - NO PENCIL CHANGES ALLOWED