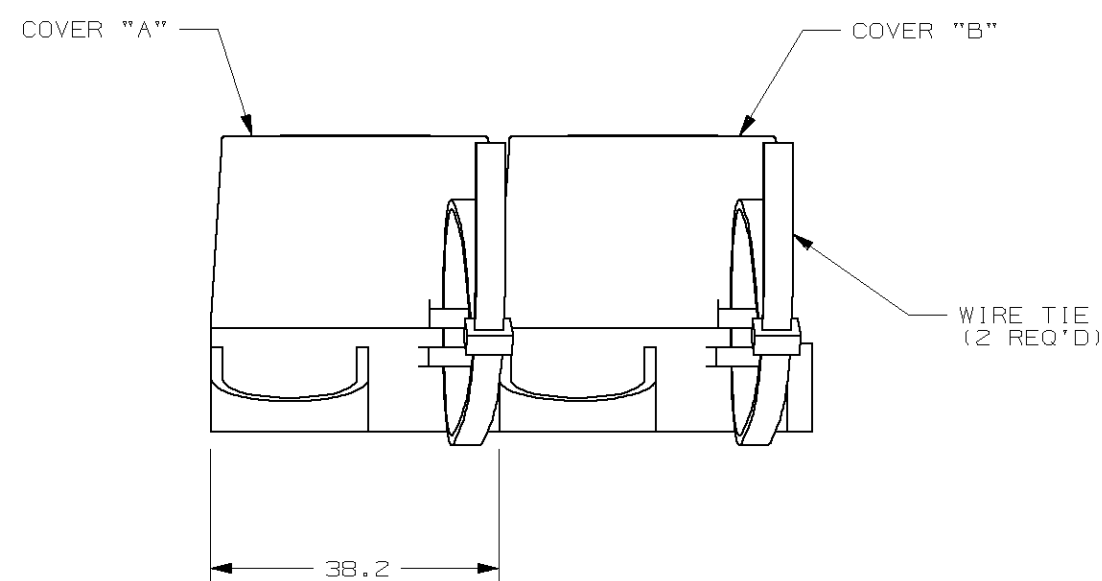
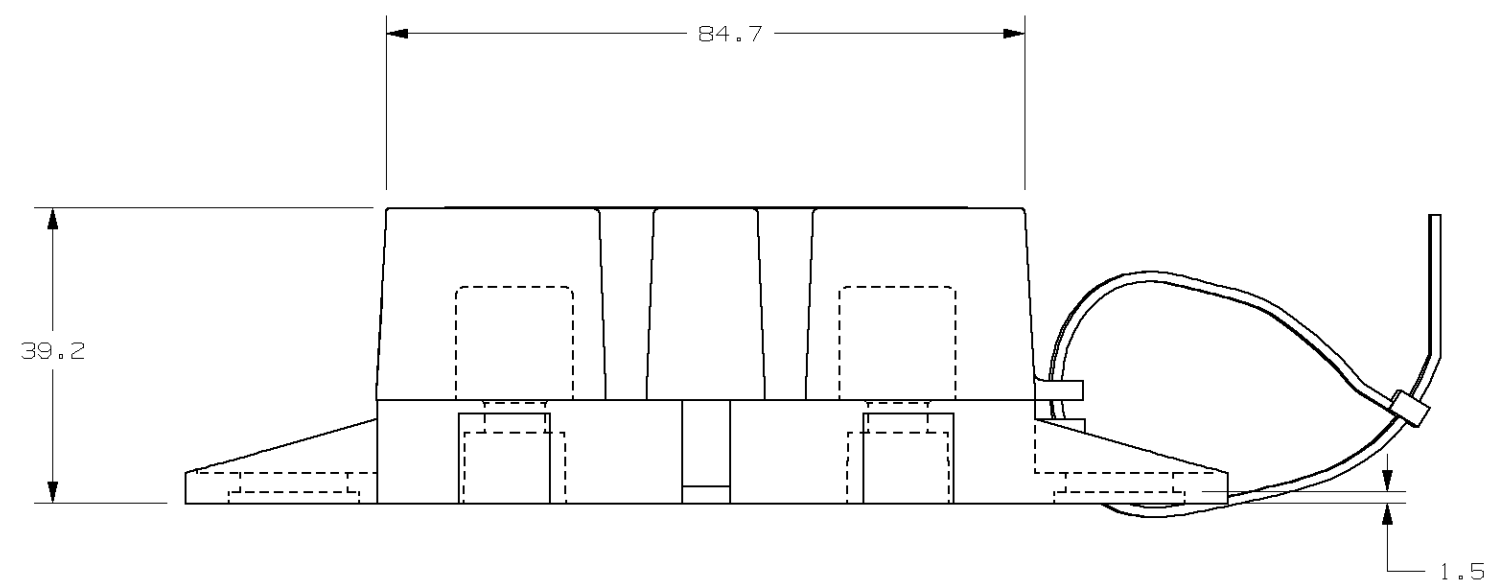
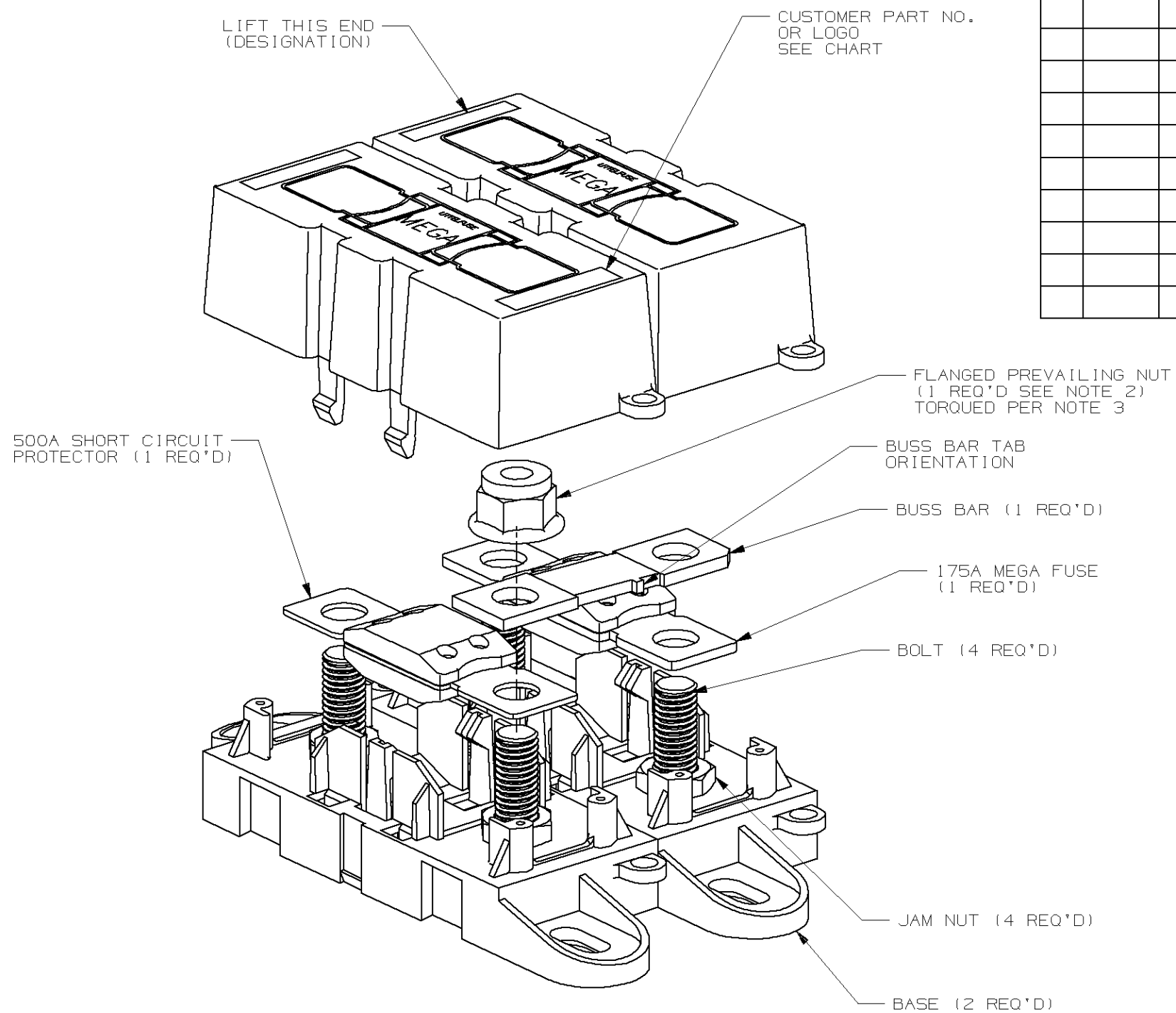
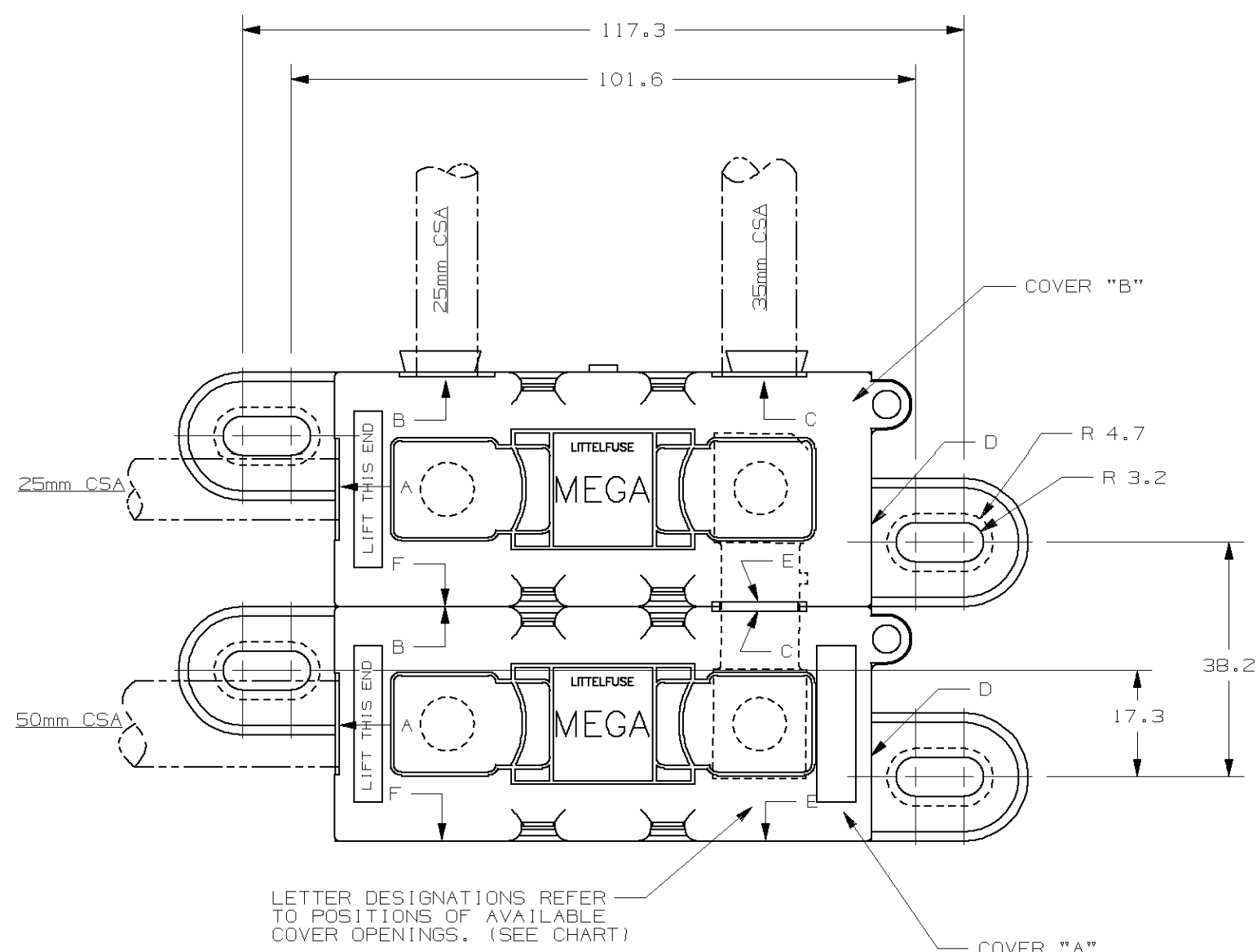


COVER PART	COVER OPENING POSITION	JAGUAR PART NO. OR LOGO
A	A C	LJE2850AA
B	A B C E	N/A

LTR	DATE	REVISION	CHK	APD
C	03/29/07	85414D-REDRAWN IN UG GMB		
D	08/31/07	000170EC/C - REMOVE USA FROM COVER	BRK	
E	04/24/08	000463EC/D-CHG. NOTE 3	GMB	



**GENERAL NOTES:**

- COVER RETENTION TEST: MINIMUM FORCE OF 2 LBS. IS REQUIRED TO REMOVE COVER WHEN IT IS SUSPENDED UPSIDE DOWN. FORCE SHALL BE APPLIED THROUGH THE INNER HOLES (2) IN BASE. USE FIXTURE #T-C403 TO SUPPORT PART.
- FLANGED PREVAILING NUT TO MEET THE FOLLOWING CRITERIA:  
FORD PART NO. W520202  
FINISH: S437.
- TORQUE APPLIED TO NUT  
TORQUE REQUIREMENTS FOR THE HEX NUT USED TO SECURE THE BUSSBAR OR THE CUSTOMER RING TERMINAL TO THE MEGA FUSE TO BE:  
8mm NUT - 12-18 NEWTON METERS [106-159 IN-LBS]
- DUAL HOLDER MEETS L/F VALIDATION TEST SPEC. VS-005005.

**5. MATERIALS:**

- \* BODY - GLASS FILLED THERMOPLASTIC  
COLOR - BLACK
- \* COVER - THERMOPLASTIC  
COLOR - BLACK
- \* WIRE TIE - THERMOPLASTIC  
COLOR - BLACK
- \* STUDS & NUTS - MB X 1.25 STEEL  
ZINC PLATE WITH TRIVALENT CHROMATE, LEACHED AND SEALED,  
INTEGRAL TORQUE CONTROL LUBRICANT FINISH  
(MEETS 96 HR. ASTM STD. B-117 SALT SPRAY REQ.)
- \* PREVAILING TORQUE ELEMENT - NYLON, COLOR OPTIONAL

NO	COMPONENT NO	DESCRIPTION	QTY/M	U/M
-	-	-	-	-
-	-	-	-	-
-	-	-	-	-

**BILL OF MATERIAL**

UNLESS OTHERWISE SPECIFIED, DIMENSIONS ARE IN MILLIMETERS. DIMENSIONS IN BRACKETS [ ] ARE INCHES.

UNLESS OTHERWISE SPECIFIED, DIMENSIONS DO NOT INCLUDE PLATING.

⊙ DENOTES CRITICAL CHARACTERISTICS.

CPK DENOTES CPK DIMENSIONS. -MINIMUM CPK VALUE

ST DENOTES A CHARACTERISTIC THAT PROVIDES AN INDICATION OF PROCESS PERFORMANCE. PROCEDURE FOR MEASUREMENT AND TRACKING TO BE DEFINED IN LITTELFUSE INSPECTION INSTRUCTIONS

CP DENOTES CP DIMENSIONS. -MINIMUM CP VALUE MUST BE WITHIN THE DIMENSIONAL LIMITATIONS SHOWN ON DRAWING AND INITIALLY LOCATED TO ALLOW FOR MAXIMUM TOOL LIFE

COPIES TO	MATL SPEC		
1	9	18	
2	10	19	
3	12	20	
4	13	21	
5	14	23	
6	15	33	
7	16	43	
8	17	53	

TOLERANCE UNLESS OTHERWISE SPECIFIED  
ONE PLACE DEC +/- .3 THREE PLACE DEC +/- .100  
TWO PLACE DEC +/- .25 ANGULAR +/- .1°

3RD ANGLE PROJECTION	TITLE	DUAL MEGAFUSE HOLDER FOR
		500A & 175A (JAGUAR LJE2850AA)
	REVISION	DRWG. NO.
	E	02982005ZXT
		OUTLINE

DES PLAINES, ILLINOIS 60016

METRIC

CAD GENERATED DRAWING - NO PENCIL CHANGES ALLOWED