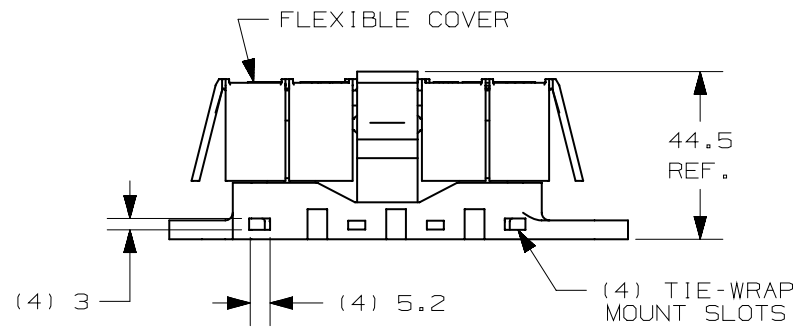
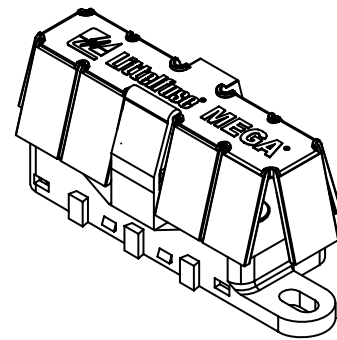
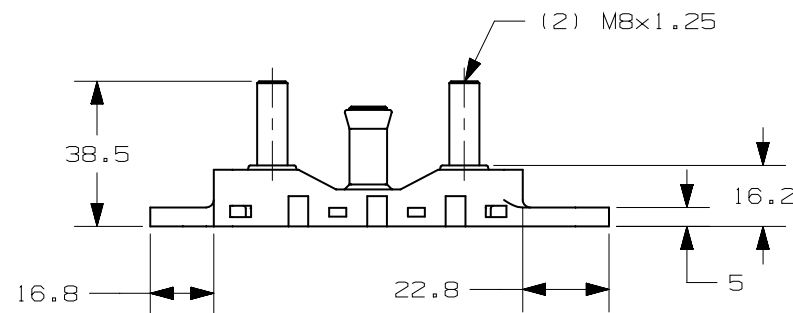
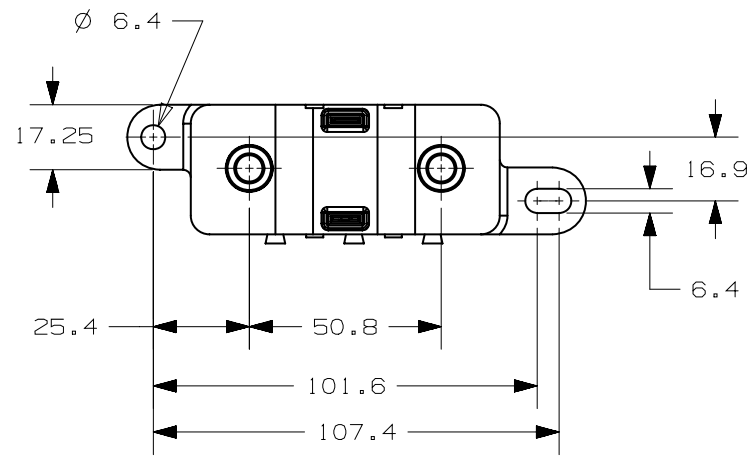


DOVETAIL FEATURES USED TO INTERLOCK MULTIPLE HOLDERS



- NOTES:
- 1) BASE: UL94V-0 GLASS-FILLED PPA  
M8 STUDS: ZINC-PLATED STEEL  
COVER: UL94V-0 ELASTOMER
  - 2) MAX FUSE RATING: 500A
  - 3) M8 STUD TORQUE: 12-18Nm  
MOUNTING TORQUE (W/M6 BOLTS & WASHERS): 5Nm
  - 4) TEMPERATURE RATING: -40°C TO 125°C
  - 5) WIRE SIZE: 8mm<sup>2</sup> TO 30mm<sup>2</sup>

METRIC



NO	COMPONENT NO	DESCRIPTION	QTY/M	U/M
BILL OF MATERIAL				
		UNLESS OTHERWISE SPECIFIED, DIMENSIONS ARE IN MILLIMETERS. DIMENSIONS IN BRACKETS [ ] ARE INCHES		
		UNLESS OTHERWISE SPECIFIED, DIMENSIONS DO NOT INCLUDE PLATING.		
⊙		DENOTES CRITICAL CHARACTERISTICS.		
CPK		DENOTES CPK DIMENSIONS, -MINIMUM CPK VALUE		
ST		DENOTES A CHARACTERISTIC THAT PROVIDES AN INDICATION OF PROCESS PERFORMANCE. PROCEDURE FOR MEASUREMENT AND TRACKING TO BE DEFINED IN LITTELFUSE INSPECTION INSTRUCTIONS		
CP		DENOTES CP DIMENSIONS, -MINIMUM CP VALUE MUST BE WITHIN THE DIMENSIONAL LIMITATIONS SHOWN ON DRAWING AND INITIALLY LOCATED TO ALLOW FOR MAXIMUM TOOL LIFE		

COPIES TO	1	9	18	MATERIAL SPEC	SEE NOTES					
	2	10	19		FINISH	N/A				
	3	12	20		DATE	10/27/11				
	4	13	21		SCALE	1:2				
	5	14	23		DATE	SUPER DR				
	6	15	33		DATE	FINISH GOOD WT				
	7	16	43		DATE	GRAMS/PIECE				
	8	17	53		DATE	TOLERANCES UNLESS OTHERWISE SPECIFIED (REF. ISO 2768-mK)				
DIMENSION		0.5 - 3	UP TO OVER	3 - 6	UP TO OVER	6 - 30	UP TO OVER	30 - 120	UP TO OVER	120 - 400
TOLERANCE		±0.1		±0.1		±0.2		±0.3		±0.5
3RD ANGLE PROJECTION										
TITLE		FLEX-MEGA ASSY WITHOUT HARDWARE								
REVISION		B		DRWG. NO.		OL-02981037HXFC-0				

LTR	DATE	REVISION	CHK	APD
A	10/27/11	503515ERA-RELEASED OPL		
B	02/09/12	504268ECA-REMOVE LASER MARKING "SS", IN NOTE 1 REMOVE "SEE CHART" AND ADD ZINC-PLATED STEEL OPL		

