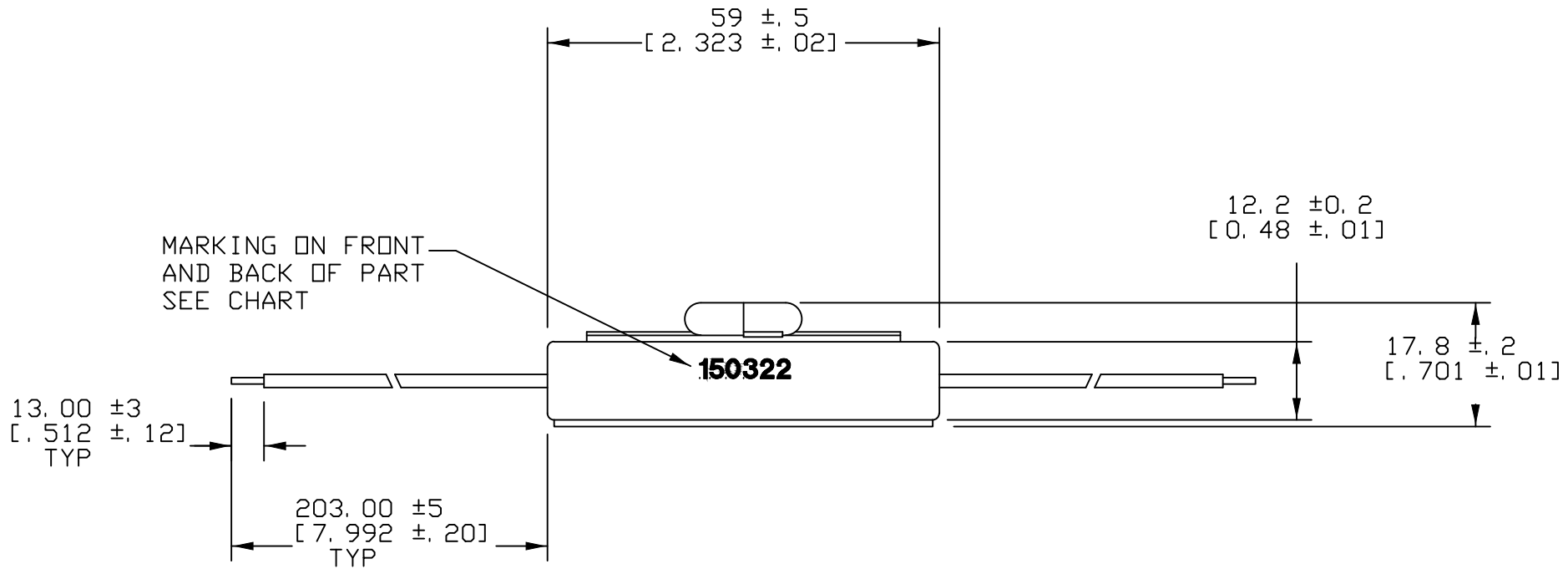



PART NUMBER	DESCRIPTION	UPC CODE	MARKING	
			FRONT	BACK
01500322H	ACS 3AG INLINE FUSE HOLDER	079458 10590	150322	500V 15A MAX UR
01500332H	ACS 3AG INLINE FUSE HOLDER	079458 94730	150332	250V 15A UR PA-VD

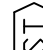



NOTES:

1. WIRE IS AWG18, RATED @150°C, COLOR: BLACK
2. INTERNAL TERMINALS ARE BRASS, Sn PLATED

PACKAGING NOTES:

- SUPPLIER TO PACKAGE 100 PCS PER BOX AND LABEL WITH A LABEL PRINTED WITH:
- *LITTELFUSE PART NUMBER
 - *DESCRIPTION
 - UL RECOGNIZED LOGO 
 - *QUANTITY
 - *DATE CODE
 - *COUNTRY OF ORIGIN
 - *UPC CODE

●	DENOTES CRITICAL CHARACTERISTICS.
CPK	DENOTES CPK DIMENSIONS, -MINIMUM CPK VALUE
	DENOTES A CHARACTERISTIC THAT PROVIDES AN INDICATION OF PROCESS PERFORMANCE. PROCEDURE FOR MEASUREMENT AND TRACKING TO BE DEFINED IN LITTELFUSE INSPECTION INSTRUCTIONS.
CP	DENOTES CP DIMENSIONS, -MINIMUM CP VALUE MUST BE WITHIN THE DIMENSIONAL LIMITATIONS SHOWN ON DRAWING AND INITIALLY LOCATED TO ALLOW FOR MAXIMUM TOOL LIFE.

NO	COMPONENT NO	DESCRIPTION	QTY/M	U/M	BILL OF MATERIAL									
					MATERIAL SPEC				FINISH					
COPIES TO	DRW	MGR	DATE	SCALE	DRW	CHK	C. HERBIAS	DATE	SUPER DRW	APPD	C. HERBIAS	DATE	FINISH GOOD WT	GRAMS/PIECE
1	9	18	19	20	21	23	33	43	53	TOLERANCE UNLESS OTHERWISE SPECIFIED TWO PLACE DEC ±.25[.01] FRACTION ± THREE PLACE DEC ±.100[.004] ANGULAR ±1°				
3RD ANGLE PROJECTION 														
TITLE IN-LINE FUSE HOLDER														
LITTELFUSE DES PLAINES, ILLINOIS 60016														
DRAWING NO. 01500322H REVISION B OUTLINE 01500332H														
LTR	REVISION			CHK	APD									
A	501802ERE - RELEASED 03/11/11 MGR													
B	517636ECE/D-REMOVE NOTES. 06/23/17 MLB			J	J	GUERRERO GUERRERO								