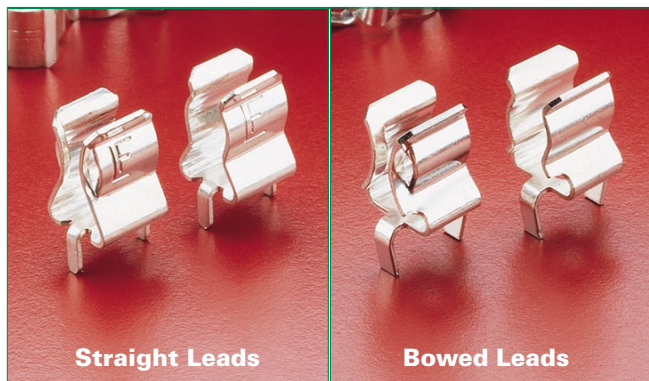



## 102/122 Series Circuit Board Mount Fuse Clips for 1/4" Diameter Fuses



Agency Approval		
Agency	Agency File Number	
	102 Series	122 Series
	E14721	

### Additional Information

  
**Datasheet  
 102 Series**

  
**Resources  
 102 Series**

  
**Samples  
 102 Series**

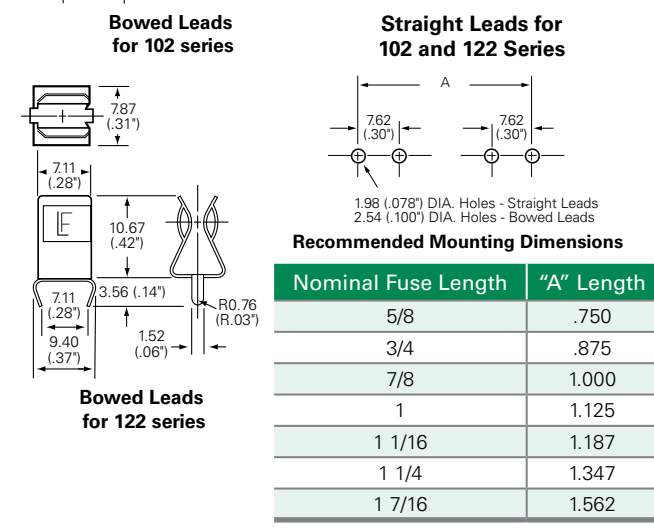
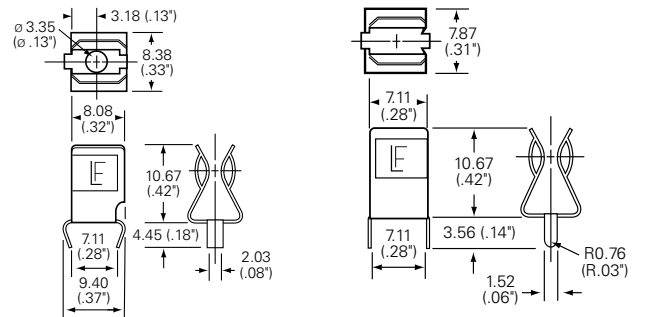
  
**Datasheet  
 122 Series**

  
**Resources  
 122 Series**

  
**Samples  
 122 Series**

Product Characteristics		
	102 Series	122 Series
<b>Compatible Fuse Size</b>	<b>1/4" Diameter Fuses 312, 313, 314, 326, 505, 506, 508 Series</b>	
<b>Current Level</b>	15 amperes max	30 amperes max

### Product Dimensions



## Ordering Information

Ordering PN *	Catalog No.	Clip Material	Plating	Style	Packaging Available
<b>Traditional Clips</b>					
01020071	102 071	Spring Brass	Tin-plated	Ear	Z
01020074	102 074	Spring Brass	Tin-plated	Earless	Z
01020076	102 076	Spring Brass	Tin-plated	Ear	Z
01220055	122 055	Copper-Nickel Alloy	Tin-plated	Ear	Z
01220083	122 083	Beryllium Copper	Silver-plated	Ear	Z
01220087	122 087	Beryllium Copper	Silver-plated	Earless	Z
01220088	122 088	Beryllium Copper	Tin-plated	Ear	Z & ZR
01220093	122 093	Beryllium Copper	Tin-plated	Earless	Z
<b>Bowed Tab Clips</b>					
01020078	102 078	Spring Brass	Tin-plated	Earless	H & Z
01020079	102 079	Spring Brass	Tin-plated	Ear	Z
01220055Z-1	122 055	Copper-Nickel Alloy	Tin-plated	Ear	-
01220088Z-1	122 088	Beryllium Copper	Tin-plated	Ear	-

**\*Add Suffix to the Ordering PN for Packaging:**

"H" = Std. package 100 pcs per pack

"Z" = For bulk package

"ZR" = Tape and reel package, 300pcs