


100/102/122 Series Low Profile Circuit Board Mount Fuse Clips for 1/4" Diameter Fuses RoHS



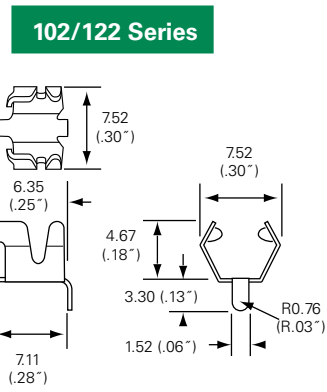
Product Characteristics

| | 102 080 | 122 090 | 100 058 |
|-----------------------------|--------------------------------------|-------------|-------------|
| Compatible Fuse Size | 1/4" Diameter and 6.3mm Fuses | | |
| Current Level | 15 Amps max | 30 Amps max | 15 Amps max |

Agency Approval

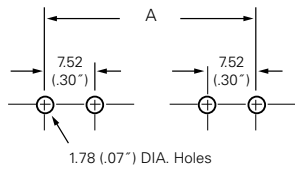
| Agency | Agency File Number | | |
|---|--------------------|----------------|----------------|
| | 102 080 | 122 090 | 100 058 |
|  | E14721 | | |

Product Dimensions

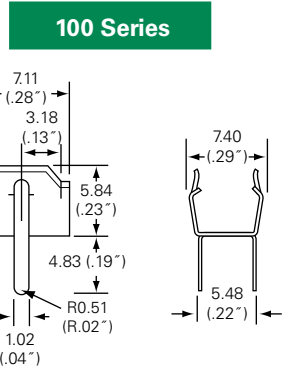


Mounting Dimensions for 102/122 Series

| Nominal Fuse Length | "A" Length |
|---------------------|------------|
| 5/8 | .760 |
| 3/4 | .880 |
| 7/8 | 1.005 |
| 1 | 1.130 |
| 1 1/16 | 1.195 |
| 1 1/4 | 1.380 |
| 1 7/16 | 1.570 |

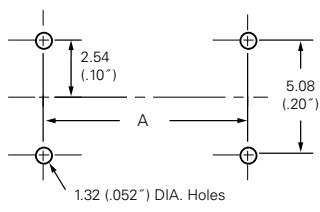


Recommended Mounting Dimensions



Mounting Dimensions for 100 Series

| Nominal Fuse Length | "A" Length |
|---------------------|------------|
| 1 | 0.781 |
| 1 1/14 | 1.035 |
| 1 7/16 | 1.250 |



Recommended Mounting Dimensions

Ordering Information

| Ordering PN* | Catalog No. | Clip Material | Plating | Style | Packaging Available |
|--------------|-------------|------------------|---------------|-------|---------------------|
| 0102 0080 | 102 080 | Spring Brass | Tin-plated | Ear | Z |
| 0122 0090 | 122 090 | Beryllium Copper | Silver-plated | Ear | Z & ZR |
| 0100 0058 | 100 058 | Spring Brass | Tin-plated | Ear | Z |

Add Suffix to the Ordering PN for Packaging

"Z" = for bulk package, 2000pcs

ZR = Tape and reel package, 500pcs

Additional Information



**Datasheet
100 Series**



**Resources
100 Series**



**Samples
100 Series**



**Datasheet
102 Series**



**Resources
102 Series**



**Samples
102 Series**



**Datasheet
122 Series**



**Resources
122 Series**



**Samples
122 Series**