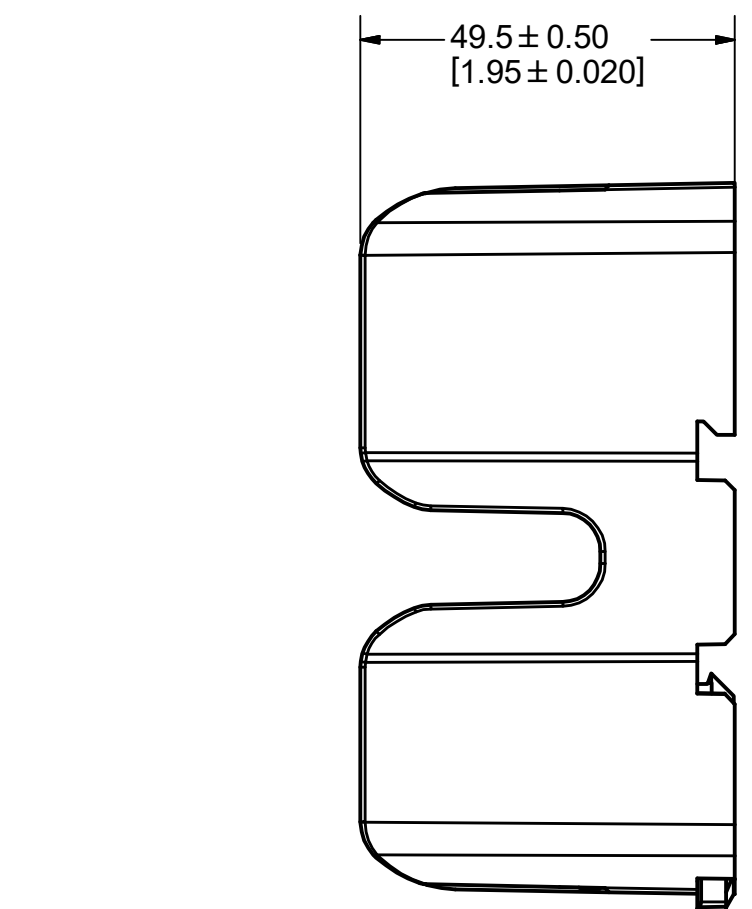


REVISION		
REV	DATE	DESCRIPTION
A	3/21/19	520502GCP - RELEASE MRY



SPECIFICATIONS:

VOLTAGE RATING: 600V

AMPERE RATING: 60 AMPERES

INTERRUPT RATING: 200kA

TERMINAL TYPE: BOX LUG

SUGGESTED TORQUE: 2.8 N-m (25 IN-LBS) 6-14AWG
5.6 N-m (50 IN-LBS) 2-4 AWG

WIRE RANGE: 2-14 AWG Cu/Al
SOLID/STRANDED

APPROVALS: UL LISTED (FILE NO. E14721)
CSA CERTIFIED (FILE NO. 007316_0_000)

<S>	CRITICAL CHARACTERISTIC FOR PART SAFETY/COMPLIANCE.
●	DENOTES CRITICAL CHARACTERISTICS.
CPK	DENOTES CPK DIMENSIONS, -MINIMUM CPK VALUE
⊠	DENOTES A CHARACTERISTIC THAT PROVIDES AN INDICATION OF PROCESS PERFORMANCE. PROCEDURE FOR MEASUREMENT AND TRACKING TO BE DEFINED IN LITTELFUSE INSPECTION INSTRUCTIONS.
CP	DENOTES CP DIMENSIONS, -MINIMUM CP VALUE MUST BE WITHIN THE DIMENSIONAL LIMITATIONS SHOWN ON DRAWING AND INITIALLY LOCATED TO ALLOW FOR MAXIMUM TOOL LIFE.

MATL SPEC		FINISH	
DRW MYORK	DATE 3/4/2019	SCALE NTS	FINISH GOOD WT GRAMS/PIECE

UNLESS OTHERWISE SPECIFIED, DIMENSIONS ARE IN MILLIMETERS, DIMENSIONS IN BRACKETS [] ARE INCHES DIMENSIONING AND DO NOT INCLUDE PLATING. TOLERANCING TO BE INTERPRETED IN ACCORDANCE WITH ANSI Y14.5M-1994



TITLE	LFC60060C-HX SERIES OUTLINE
--------------	-----------------------------

	REVISION	DRWG NO.	SHEET 1 OF 1 SERIES
	A	OL-LFC60060C-HX	