




An Indication
of Value

NEW
POWR-GARD®
Fuseblocks



Expertise Applied | Answers Delivered



Competitor's
Class J Blocks

New Littelfuse
Class J Blocks

Saving Space with the Next Generation of Fuseblocks

Littelfuse understands your challenge to constantly improve your products—that's why we developed a brand new line of next generation fuseblocks.

Introducing the LF Series Fuseblocks.

Smaller. More efficient. More valuable to your customers. These products meet your design and business objectives, provide value to your customers and differentiate your products from the competition.



Indication of Forward Thinking

From the Indicator® pioneer comes another innovation—DIN-releasable, compact, indicating fuseblocks that feature modern design and universal mounting holes for drop-in replacement.

We understand your products are a reflection of your brand and expertise. That's why our latest innovation provides you more value.

Now that's what we call forward thinking.



**Smaller Footprint
Provides Space Savings**



**DIN-Rail Mounting
Eases Installation**



**Indication Improves
Functionality**



Designed with OEMs in mind



**Smaller Footprint
Provides Space Savings**



**DIN-Rail Mounting
Eases Installation**

What would you do with more space? That's a great position to be in. Maybe you'll choose a smaller enclosure to realize cost savings. Or use the room to add more features and differentiate your design from the competition.

Either way, you'll appreciate the added value of indication and a modern, clean design that conveys high quality and professionalism to your customers.

DIN-Rail mounting on the new LF Series fuseblocks eases initial design layout and assembly time. With no additional hardware or holes to drill, the DIN mounting feature also speeds rework or design changes. Just snap and release the fuseblocks from the rails to make adjustments.

The universal mounting holes eliminate the need to change existing back-panel layouts, making the Littelfuse LF Series fuseblocks the perfect choice for drop-in replacements.

For additional technical information on the new LF Series Fuseblocks visit www.littelfuse.com/fuseblocks

An OEM's Perspective



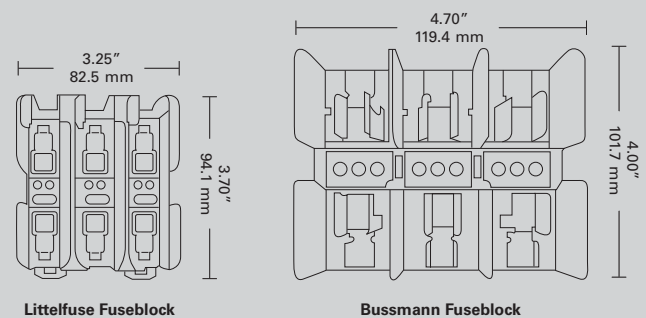
Fred Schwan
Electrical Control Distributors
Cary, Illinois

Panel shop owner and electrical distributor for over 20 years

Electrical Control Distributors prefers the new POWR-GARD fuseblocks because their design advantages increase the company's bottom line. The indication feature adds value for their end users with negligible cost impact. Owner Fred Schwan appreciates the DIN-rail mounting capability:

“The DIN-Rail mounting feature helps us save a lot of time when we are building and finalizing a design. The overall look is better than any other fuseblock on the market and helps differentiate our panels. This combination of streamlined simplicity and extra features makes using the new Littelfuse fuseblocks an easy choice for me.”

Electrical Control Distributors replaced an older version of Class J fuseholders with the new Littelfuse indicating blocks. The old version required 94 square inches of panel space for five three-pole fuseholders. In addition, every time he made a change he had to drill new holes. The new DIN-rail mountable blocks needed only 60 square inches. The 36% space savings improved the overall layout of the panel and made the panel assembly less time consuming.



Indication Improves Functionality

Your customers want to increase efficiency, troubleshoot faster, reduce downtime and improve their bottom line. You can help them do just that by using the Littelfuse indicating fuseblocks to instantly let them know which circuit is open. This extra benefit can be provided with virtually no extra investment on your part.

Do the smart thing for your customers and for your business — opt for the value of indication that only Littelfuse provides. Outperform your competitors and be the first to offer a valuable benefit to your customers.

It's easy to get started.
 Visit www.littelfuse.com/fuseblocks



Technical Information Online

- Data sheets and detailed specifications
- Downloadable 2-D .dxf and 3-D .igs files
- Comparison chart and cross reference
- Space-savings calculator
- Environmental approvals
- Line drawings

Sample Requests

- Order easily online
- Call your Littelfuse sales representative

Additional Resources

- Printed product catalogs, brochures and CDs
- 800-TEC-FUSE technical support hotline

Our Indicating Fuseblocks are Compatible

CLASS H/K5 Fuseblock Specifications

Series: LFH
Voltage Ratings: 250 V and 600 V
Ampere Range: 0–600 A
Approvals: UL Listed (File No. E14721)
 CSA Certified (File No. LR73091)
Indication: 250 V: 31–100 A
 600 V: 0–100 A
 Operating Voltage 80–600 V
Poles: 0–60 A: 1, 2, 3; 61–600 A: 1, 3
Terminal Type: 0–30 A: Box Lug, Pressure Plate, Screw
 31–600 A: Box Lug
Base Temp Rating: 250 V, 0–60 A: 125° C; All others: 130° C
DIN-Rail Mounting: 0–60 A, 35 mm
Wire Type: Solid or Stranded. See data sheet for AWG and Torque

CLASS R Fuseblock Specifications

Series: LFR
Voltage Ratings: 250 V and 600 V
Ampere Range: 0–600 A
Approvals: UL Listed (File No. E14721)
 CSA Certified (File No. LR73091)
Indication: 250 V: 31–100 A
 600 V: 0–100 A
 Operating Voltage 80–600 V
Poles: 0–60 A: 1, 2, 3; 61–600 A: 1, 3
Terminal Type: 0–30 A: Box Lug, Pressure Plate, Screw
 31–600 A: Box Lug
Base Temp Rating: 250 V, 0–60 A: 125° C; All others: 130° C
DIN-Rail Mounting: 0–60 A, 35 mm
Wire Type: Solid or Stranded. See data sheet for AWG and Torque

More Indicating Products from Littelfuse



Up-LINK™ Remote Indication

- Instantaneous remote notification of open circuits
- Integrates circuit protection to other managed processes
- Touch safe, flexible and PLC compatible



LPSM Fuseholder

- Touch-safe fuseholders for Midget style and Class CC fuses
- DIN-rail mountable for flexibility
- Open-circuit indication speeds troubleshooting



Indicator® Fuses

- Open circuit indication speeds up troubleshooting
- Class RK1 current-limiting fuses increase safety



with Your Design

CLASS J Fuseblock Specifications

Series:	LFJ
Voltage Rating:	600 V
Ampere Range:	0-600 A
Approvals:	UL Listed (File No. E14721) CSA Certified (File No. LR73091)
Indication:	0-100 A Operating Voltage 80-600 V
Poles:	0-60 A: 1, 2, 3; 61-600 A: 1, 3
Terminal Type:	0-30 A: Box Lug, Pressure Plate, Screw 31-600 A: Box Lug
Base Temp Rating:	130° C
DIN-Rail Mounting:	0-60 A, 35 mm
Wire Type:	Solid or Stranded. See data sheet for AWG and Torque

As the world's #1 brand in circuit protection, Littelfuse offers the broadest and deepest portfolio of circuit protection products and a global network of technical support backed by more than 80 years of application design expertise. Littelfuse's products can help:

- Improve end-product uptime and reliability
- Minimize fire and shock risks
- Minimize operating dangers

Littelfuse World Headquarters
Chicago, Illinois USA

www.littelfuse.com/fuseblocks
800-TEC-FUSE (800-832-3873)



Littelfuse is committed to helping OEM engineers, consulting engineers and end users select the right products to protect critical electrical equipment—supported by our full line of product catalogs and reference materials.

Fuses and Fuseholders Catalog Littelfuse offers a complete circuit protection portfolio of industrial power fuses, including time-saving indication products for an instant visual blown-fuse identification, even on de-energized systems.

Protection Relay Catalog The comprehensive line of electronic and microprocessor-based protection relays safeguard equipment and personnel to prevent expensive damage, downtime or injury due to electrical faults.

Up-LINK™ Product Brochure Up-LINK™ is a patented remote indication technology, incorporated in a growing number of fuseholders and other products that improve productivity by providing necessary information to monitoring sites.

Varistor Catalog Littelfuse offers industrial Metal Oxide Varistors (MOVs) to protect against transient voltage surges.

To view all Littelfuse product catalogs, visit our website at **www.littelfuse.com/catalogs**

