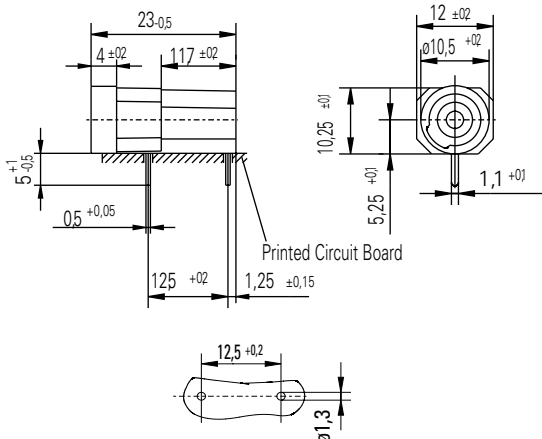


596/583 Series Circuit Board Mount Enclosed Fuse Holders for 5x20mm Fuses

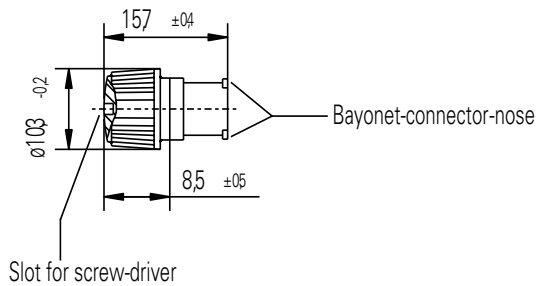


Dimensions

Units in Millimeters



Holes in the Printed Circuit Board



Product Characteristics

| | |
|--|--|
| Compatible Fuse Types | 5x20mm |
| Materials | Holder: Duroplastic, black |
| | Cap: Thermoplastic, UL 94 V-0, black |
| | Metal Parts: Copper alloy, corrosion protected |
| | Terminals: Solderable, tinned |
| Electrical Data (23°C) | Rated Voltage: 250V |
| | Max. Current/Power: 6.3 A / 2.0 W |
| Mounting | (2) Solder pins 0.5x1.1mm |
| Protection Class & Category | IP 40 (IEC 60529) |
| Operating Temperature | -25 °C to 70 °C |
| Stock Conditions | 10 °C to 60 °C |
| Contact Resistance | ≤ 5mΩ |
| Dielectric Strength | 3 kV, 50Hz, 1 min., dry |
| Insulation Resistance | > 10 MΩ (500 V DC, 1 min.) |
| Solderability | 235 °C, 3 sec. (Wave) 350 °C, 1 sec. (Soldering Iron) |
| Soldering Heat Resistance | 260 °C, 5 sec. |
| Minimum Cross Section | Conductor - 0.2mm ² |
| Marking | 596, 250 V |
| Unit Weight | 2,2 g (596) / 1,7 g (583) |

Note: 1.00 means the number one with two decimal places. 1,000 means the number one thousand.

Ordering Information

| Description | Ordering Number | Packaging |
|-------------------|-----------------|-----------|
| Cap, 5x20 mm | 58300000005 | Bulk 100 |
| 596 Series Holder | 59600000005 | Bulk 100 |

Additional Information



Datasheet



Resources



Samples