

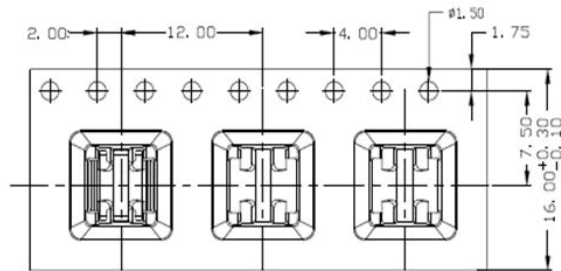
## 523 Series 5x20mm Fuse Clips for Automated Pick In Place (PIP)



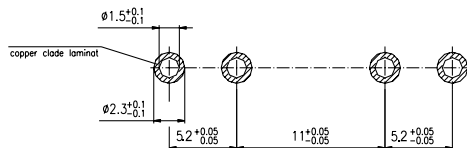
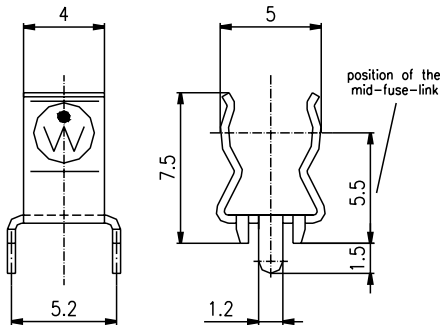
### Product Characteristics (For 523 PIP Clip)

<b>Materials</b>	<b>Copper alloy Solderable, tinned</b>
<b>Electrical Data (23°C)</b>	<b>Rated Voltage:</b> 250V
	<b>Max. Current/Power:</b> 6.3A/2.5W
<b>Mounting</b>	PC Board, 5,2 mm pin spacing Solder pins 0.4x1.2 mm
<b>Solderability</b>	245°C maximum, 3 sec. maximum (IEC 60068-2-20)
<b>Soldering Heat Resistance</b>	260 °C, 10 s (IEC 60068-2-20)
<b>Minimum Cross Section</b>	Conducting path - 0.2mm <sup>2</sup>
<b>Unit Weight</b>	0.4g

### Product Dimensions



The tolerance for other dimensions is  $\pm 0.1$ mm.



Mounting Dimensions

### Ordering Information

Ordering PN	Clip Material	Plating	Packaging Available
5230000S001	Phosphor Bronze	Tin-plated	Tape and reel 800 pcs

### Additional Information



Datasheet



Resources



Samples