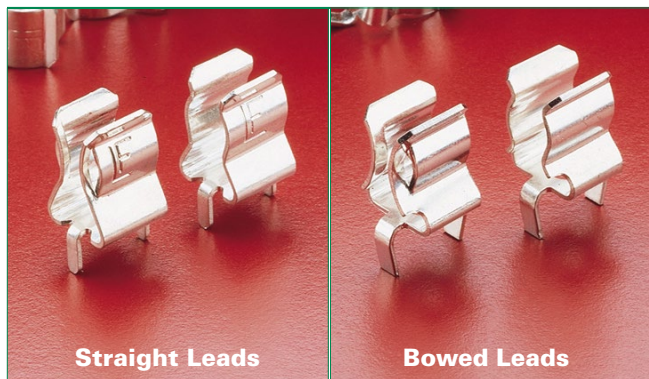



## 102/122 Series Circuit Board Mount Fuse Clips for 1/4" Diameter Fuses



### Agency Approval

Agency	Agency File Number	
	102 Series	122 Series
	E14721	

### Additional Information



**Datasheet  
102 Series**



**Resources  
102 Series**



**Samples  
102 Series**



**Datasheet  
122 Series**



**Resources  
122 Series**

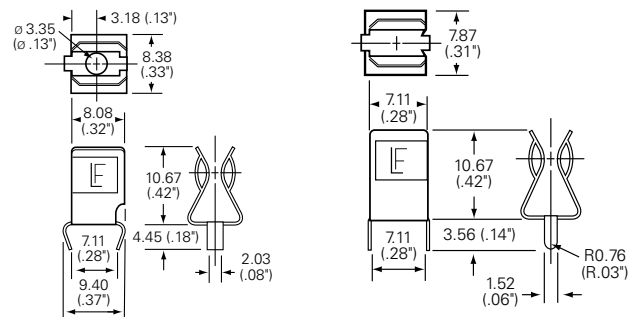


**Samples  
122 Series**

### Product Characteristics

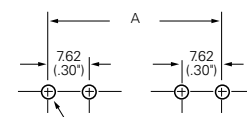
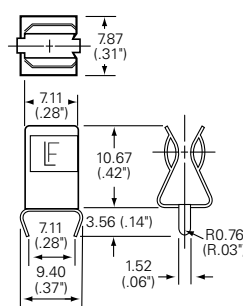
	102 Series	122 Series
<b>Compatible Fuse Size</b>	<b>1/4" Diameter Fuses 312, 313, 314, 326, 505, 506, 508 Series</b>	
<b>Current Level</b>	15 amperes max	30 amperes max

### Product Dimensions



**Bowed Leads for 102 series**

**Straight Leads for 102 and 122 Series**



### Recommended Mounting Dimensions

Nominal Fuse Length	"A" Length
5/8	.750
3/4	.875
7/8	1.000
1	1.125
1 1/16	1.187
1 1/4	1.347
1 7/16	1.562

## Ordering Information

Ordering PN *	Catalog No.	Clip Material	Plating	Style	Packaging Available
<b>Traditional Clips</b>					
01020071	102 071	Spring Brass	Tin-plated	Ear	Z
01020074	102 074	Spring Brass	Tin-plated	Earless	Z
01020076	102 076	Spring Brass	Tin-plated	Ear	Z
01220055	122 055	Copper-Nickel Alloy	Tin-plated	Ear	Z
01220083	122 083	Beryllium Copper	Silver-plated	Ear	Z
01220087	122 087	Beryllium Copper	Silver-plated	Earless	Z
01220088	122 088	Beryllium Copper	Tin-plated	Ear	Z & ZR
01220093	122 093	Beryllium Copper	Tin-plated	Earless	Z
<b>Bowed Tab Clips</b>					
01020078	102 078	Spring Brass	Tin-plated	Earless	H & Z
01020079	102 079	Spring Brass	Tin-plated	Ear	Z
01220055Z-1	122 055	Copper-Nickel Alloy	Tin-plated	Ear	-
01220088Z-1	122 088	Beryllium Copper	Tin-plated	Ear	-

**\*Add Suffix to the Ordering PN for Packaging:**

"H" = Std. package 100 pcs per pack

"Z" = For bulk package

"ZR" = Tape and reel package, 300pcs