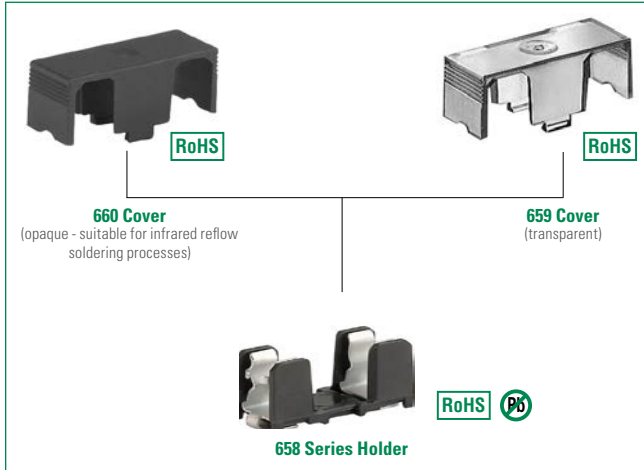


658 Series Molded Base Surface Mount Fuse Block For 5x20mm Fuses



Agency Approval

| Agency | Agency File Number |
|--------|--------------------|
| | 40001499 |
| | E70164* |

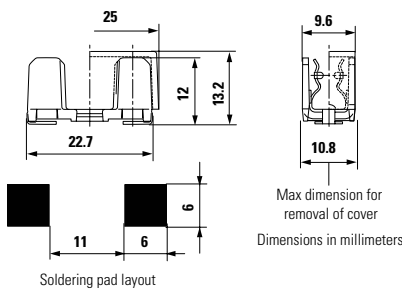
*See Ordering Info

Product Characteristics

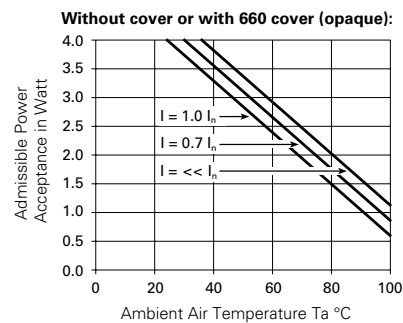
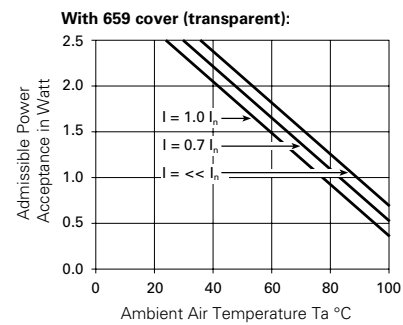
| Compatible Fuse | 5x20 mm |
|----------------------------------|--|
| Materials | Clip Frame: 65800001xxx: UL94 V-0 Black Thermoplastic 65800003xxx: UL94 V-0 Black LCP 65800004xxx: UL94 V-0 Black LCP |
| | Clip Terminals: 65800001xxx: Tin (Sn) plated copper alloy 65800003xxx: Tin (Sn) plated copper alloy 65800004xxx: Gold (Au) plated copper alloy |
| | Electrical Data |
| | Rated Voltage: 250 Vac (VDE); 250 Vac/dc (UL/CSA) |
| | Rated Current: 10A |
| | Rated Power Acceptance (at ambient air temp 23°C): - 4W without cover - 4W with 660 cover - 2.5W with 659 cover |
| Mounting | SMT. Reflow soldering |
| Operating Temperature | -40°C to +85°C |
| Stock Conditions | 0°C to +60°C, max 70% Relative humidity |
| Vibration Resistance | According to IEC 60068-2-6, test Fc |
| Contact Resistance | < 5 mΩ at 20 mV |
| Dielectric Strength | > 3kV, 50 Hz, 1 min. |
| Impulse withstand Voltage | > 4 kV between L-N |
| Insulation Resistance | (500 V DC/1 min): > 10 MΩ |
| Solderability | 245 - 260°C / max. 30 sec. acc. to JEDEC J-STD-020D |
| Soldering Profile | JEDEC J-STD-020C: - 65800001xxx: 245(+0/-5)°C / 30 sec max. - 65800003xxx: 260(+0/-5)°C / 30 sec max. - 65800004xxx: 260(+0/-5)°C / 30 sec max. |

Note: If used with covers, refer to [Fuseology](#) for information on proper fuse block re-rating.

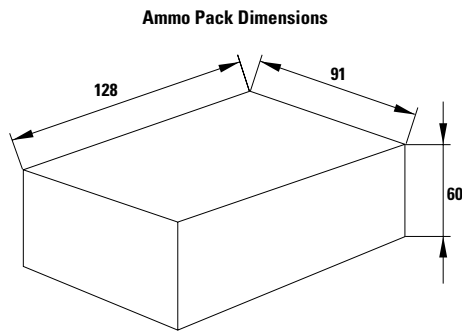
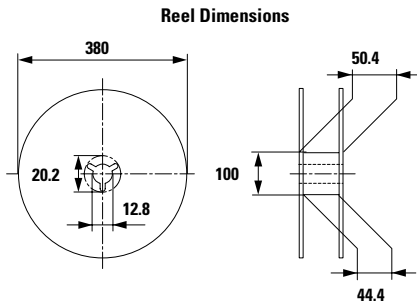
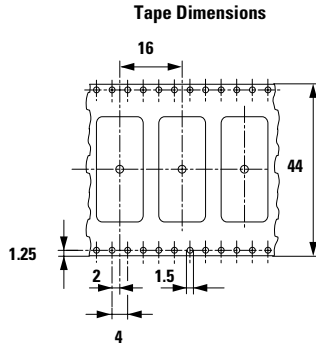
Dimensions



Re-Rating Curves



Packaging Dimensions (millimeter)



Ordering Information

| | |
|---------------------|--|
| 65800001009 | Fuse Holder - Thermoplastic / Tin terminals (100 pcs bulk) |
| 65800001109 | Fuse Holder - Thermoplastic / Tin terminals (400 pcs tape & reel) |
| 65800003009* | Fuse Holder - LCP plastic / Tin terminals (100 pcs bulk) |
| 65800003109* | Fuse Holder - LCP plastic / Tin terminals (400 pcs tape & reel) |
| 65800004009* | Fuse Holder - LCP plastic / Gold terminals (100 pcs bulk) |
| 65800004109* | Fuse Holder - LCP plastic / Gold terminals (400 pcs tape & reel) |
| 65900001009 | Fuse Holder Cover - Transparent plastic (100 pcs bulk) |
| 66000001009 | Fuse Holder Cover - Opaque plastic, suitable for infrared (IR) reflow soldering processes (100 pcs bulk) |

* Not UL Recognized or CSA.

Additional Information



Datasheet
658 Series



Resources
658 Series



Samples
658 Series

659 Series



Resources
659 Series



Samples
659 Series

660 Series



Resources
660 Series



Samples
660 Series